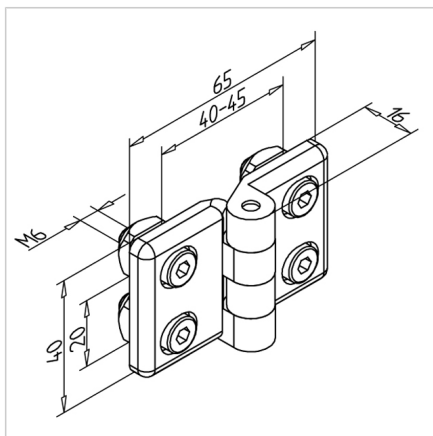
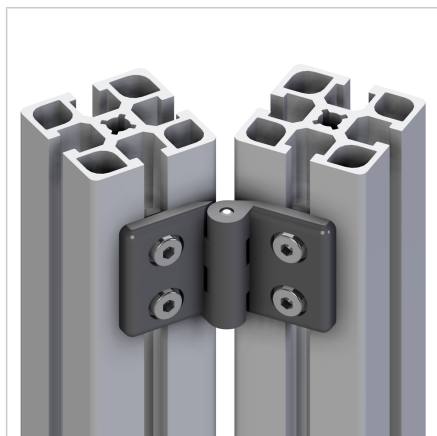


## HINGE 45 M6

Code: 211175/0

Compact hinge 45 M6 for light aluminium profile doors and lids. Ensures reliable connection and easy installation in guard units.

[Link to the product →](#)



### Technical data/items supplied

- PA, grey
- With fastening material steel, zinc plated
- Load capacity up to 160 N
- Weight = 0.061 kg/piece

### Applications

- Suitable for light doors and lids
- Guard units
- Connection of profiles at various angles

### Assembly

- Screw tight to the profile groove with supplied hardware