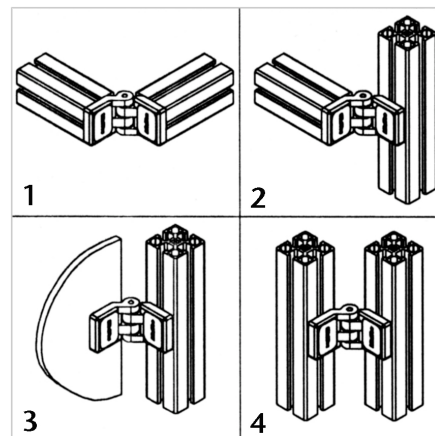
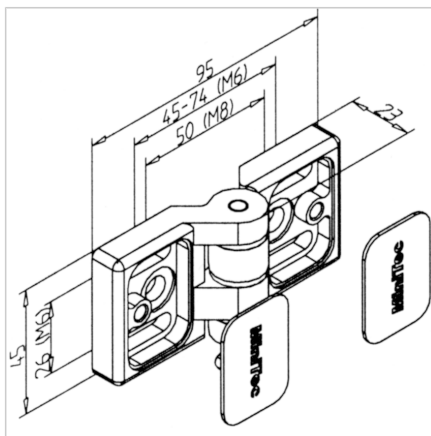
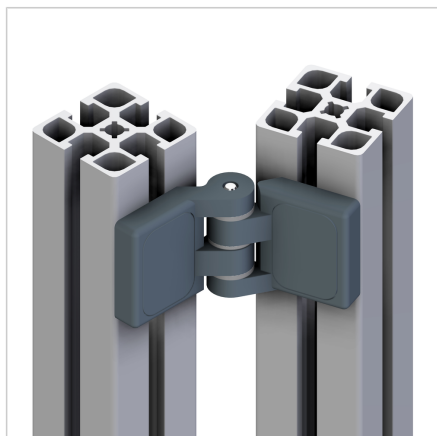


HINGE 45 S

Code: 211098/0

Hinge 45 S for aluminium profiles enables reliable opening of doors and covers in safety units and industrial constructions.

[Link to the product →](#)



Technical data/items supplied

- Aluminium, Pressure die-casting, powder-coated, grey
- Hinge pin, steel, galvanised
- End caps
- Without fastening kit
- Load capacity up to 600 N, static
- Weight = 0.099 kg/piece

Applications

- Suitable for large doors and lids
- Guard units
- Connection of profiles at various angles
- For heavy-duty application use multiple hinges

Assembly

- 1: 2 screws M8 x 16
- 2: 2 screws M6 x 16, 2 square nut M6, 1 screw M8 x 30
- 3: 2 screws M6 x 16, 2 square nuts M6, for panel element 2 screws M6 according to the material thickness
- 4: 4 screws M6 x 16, 4 square nuts M6
- Swivel range up to 270°