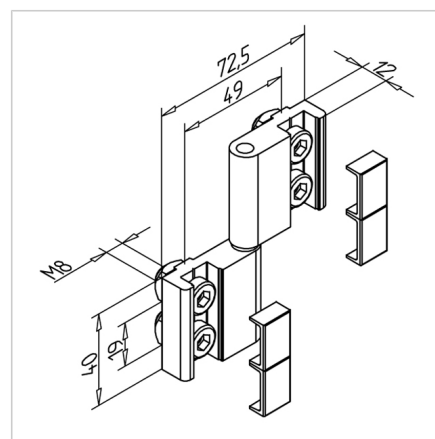
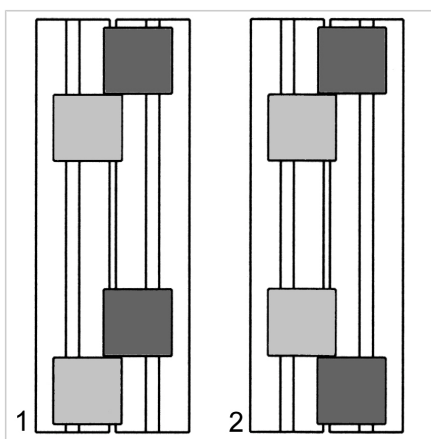
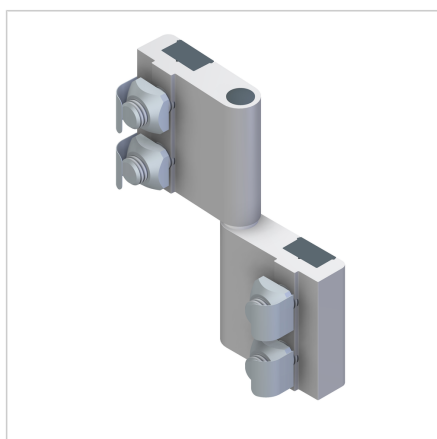


HINGE 45 WITH SQUARE NUT M8 WITH POSITION-FIXING

Code: 211096/7

Hinge 45 with square nut and position-fixing for secure, angled connections of aluminium profiles in modular constructions.

[Link to the product →](#)



Technical data/items supplied

- Aluminium, anodized E6/EV1
- With stainless steel shaft
- With fastening material steel, zinc plated
- End caps
- Load capacity up to 400 N
- Weight = 0.152 kg/piece

Applications

- Detachable doors, hatches, moving parts on profiles 45
- Connection of profiles 45 at various angles
- Guard unit fixing angle
- If the hinges are arranged in the opposite direction, non-detachable and horizontally mounted structures can also be produced

Assembly

- Fasten to profile groove with supplied hardware
- 1: Lift removable
- 2: Arrangement is not detachable