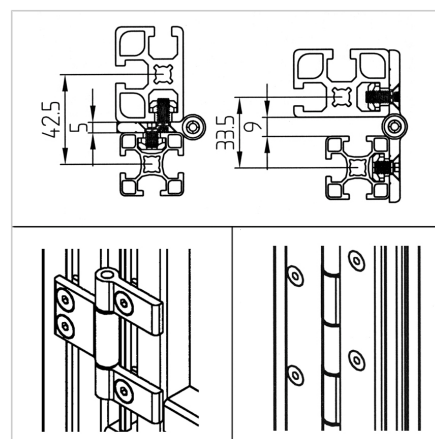
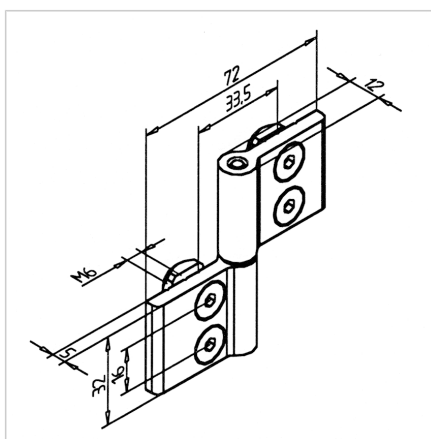


HINGE L 19/30

Code: 211374/0

Hinge L 19/30 for aluminium profiles enables reliable opening of doors and covers in safety units and industrial constructions.

[Link to the product →](#)



Technical data/items supplied

- Aluminium, anodized E6/EV1
- With stainless steel shaft
- With fastening material steel, zinc plated
- Load capacity up to 400 N
- Weight = 0.089 kg/piece

Applications

- Detachable doors, hatches, moving parts to profiles 19, 32 and 45
- If the hinges are arranged in the opposite direction, non-detachable and horizontally mounted structures can also be produced
- Connecting profiles 19 and 30 at any angle

Assembly

- Fasten to profile groove with supplied hardware
- The hinge profile 5GB **part no.** 20.0093/0 (not anodized) is available for the production of hinges in variable lengths and bore spacings as well as piano hinges