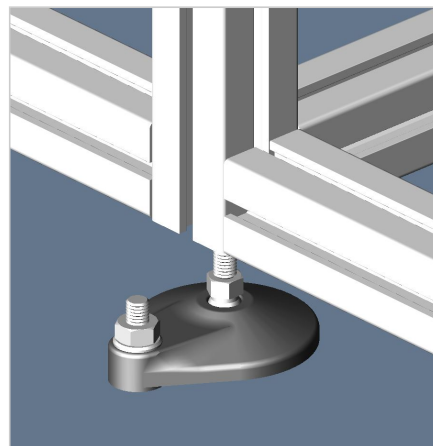
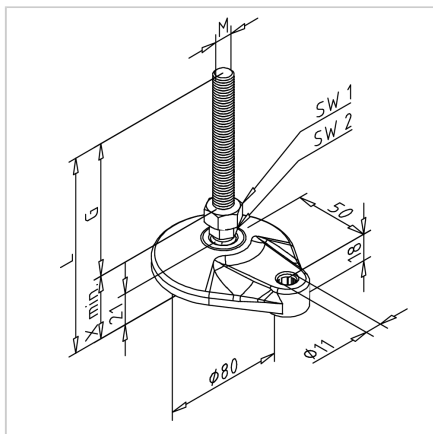
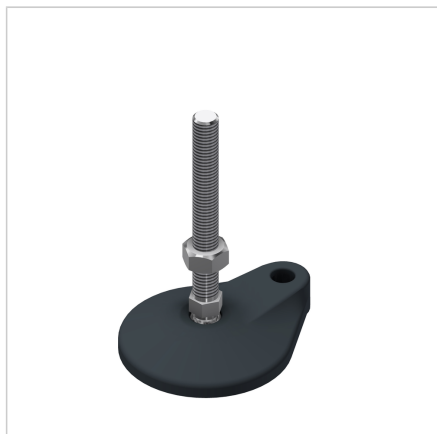


HINGED FOOT M12 D 80 WITH FIXATION BORE

Code: 212512/0

Adjustable foot M12 D80 with one mounting hole for stable support and easy height adjustment of aluminum structures.

[Link to the product →](#)



Technical data/items supplied

- Plate PA, grey
- Anti-slip license NBR, black
- Spindle steel, galvanized
- Lock nut steel, galvanized
- Dimension G = 90 mm
- Dimension X = 42.5 mm
- SW1 = 19 mm
- SW2 = 14 mm
- Dimension L = 132,5 mm
- Load capacity max. 1000 kg
- Weight = 0.186 kg/piece

Applications

- Height adjustable constructions of all kinds
- Protective equipment, tables, showcases
- Conveyors, system workstations

Assembly

- Direct in central drilling of the profiles
- For threads larger than M12, the hinged feet must be mounted in conjunction with the connection plate
- For profiles 45 x 90 und 90 x 90 a base and transport plate is required, if the feet are to be positioned centrally