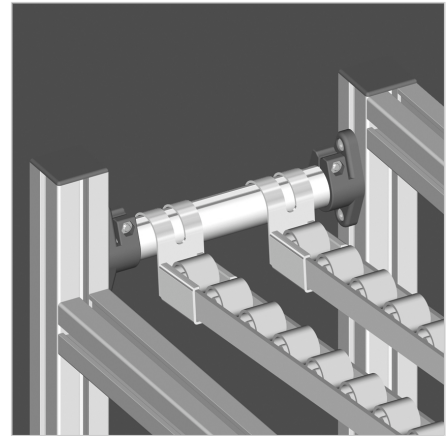
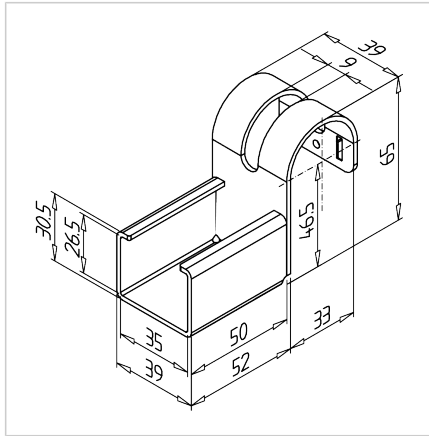
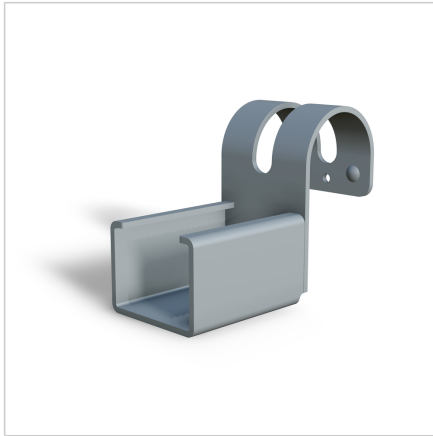


HOLDER FOR ROLLER BAR H

Code: 320553/0

[Link to the product →](#)



Technical data/items supplied

- Jeklo, pocinkano
- Debelina: 2 mm
- Teža = 0,141 kg/kom

Applications

- For attaching roller strip to grip profile 32
part no.: 201088/0
- used as end stop for e.g. containers

Assembly

- Cut out the roller strip
- Attach bracket to the roller strip
- Hang over handle profile 32
- If necessary, the bracket can be secured with a setscrew