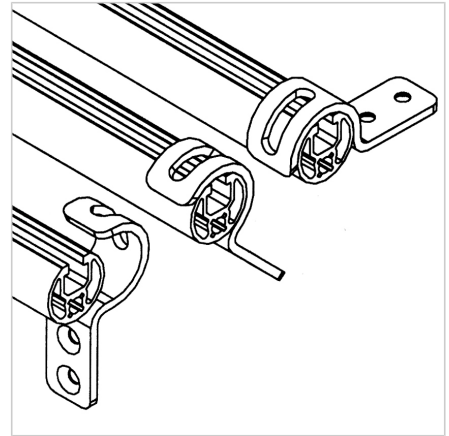
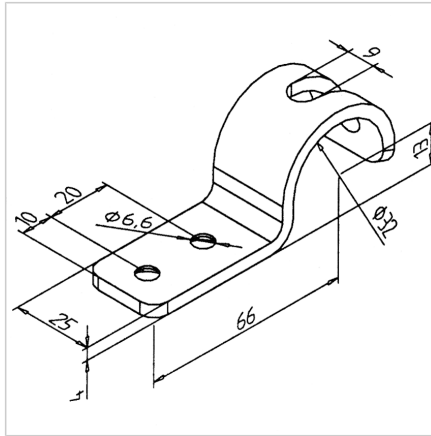
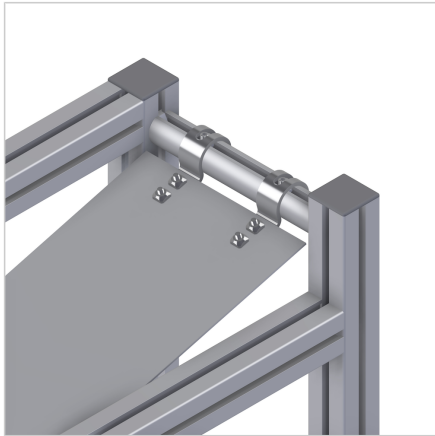


HOOK 32 FOR HANDLE PROFILE 32

Code: 210005/0

[Link to the product →](#)



Technical data/items supplied

- Steel, galvanized
- Countersunk screw M6 x 16
- With sliding nut M6
- Weight = 0.100 kg/piece

Applications

- Angle-independent attachment of roller strip, plates, shelves, etc. on the handle profile 32nd **part no. 201088/0**

Assembly

- Attach plates or similar with M6 countersunk screw
- Hang over handle profile 32
- If necessary, secure against dislocation with set screw M8 x 20 and sliding nut M8