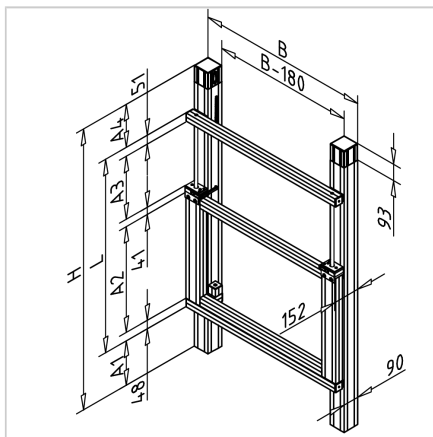
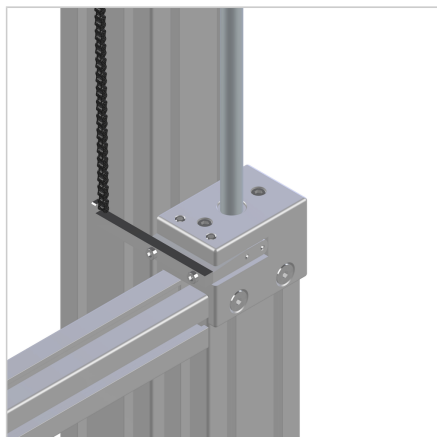


HUBTÜR MIT FALLSICHERUNG KOMPLETT

Code: 230200/0

Lifting doors ensure safe handling, comfortable operation, and optimized access to work areas.

[Link to the product →](#)



Technical data/items supplied

- Drive type: manual
Frame construction: Profile 45x45 & 90x90
Selectable surface elements: Plastic, aluminium composite, safety glass, polycarbonate and acrylic
Application areas: Fixed guards
- Please provide the following dimensions:
Outside dimension B mm
Floor clearance A1 (>=0) mm
Lifting panel height A2 mm
Stroke A3 mm
Overhang, top A4 (>=93) mm
Required surface element:

$$L = A2 + A3 + 140$$

$$H = (A1 + A2 + A3 + A4 + 140) \text{ mm}$$

Applications

- Modular lifting system with fall protection
Sash weight up to 35 kg
Surface element selectable
Weight balancing via counterweights with chain pulley