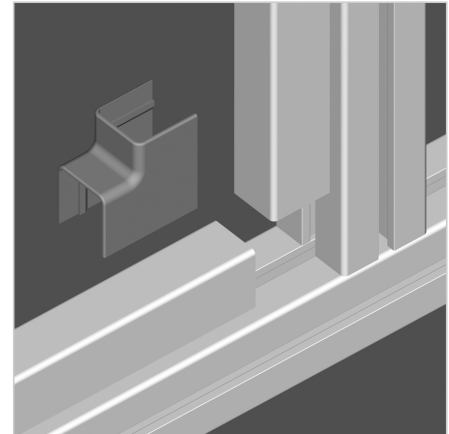
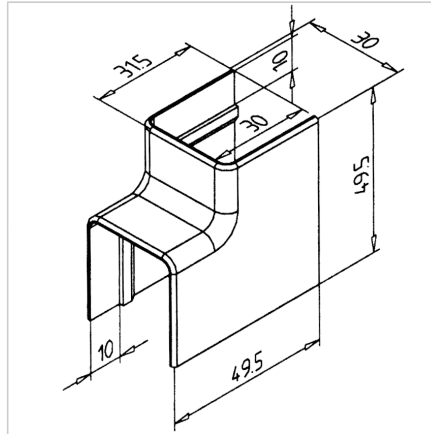
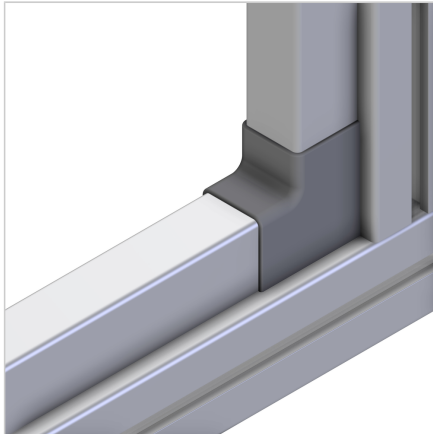


INNER ANGLE CABLE DUCT AL

Code: 221121/1

Edge protection for conduit 27, preventing edge damage and extending duct lifespan.

[Link to the product →](#)



Technical data/items supplied

- ABS, Injection Mould, grey
- Weight = 0.009 kg/piece

Applications

- Connect the cable duct AL to the inner angle

Assembly

- Clip the first side of cable duct on clamps.
- Insert the angle
- Clip on the second side of the cable duct and push until it stops