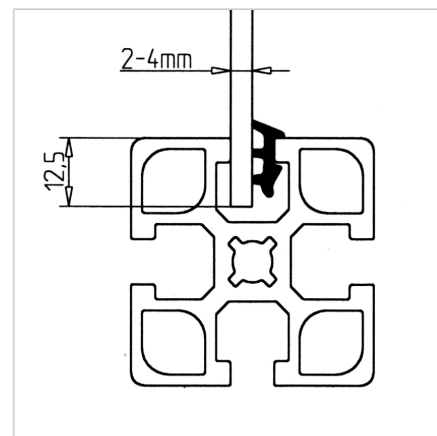
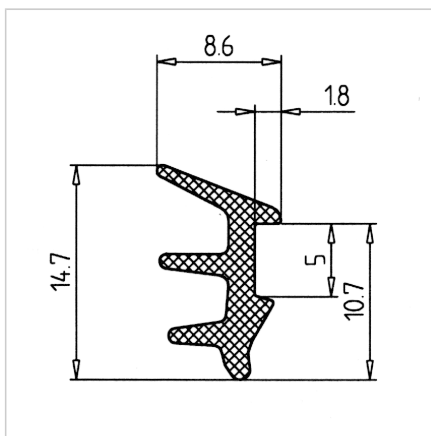
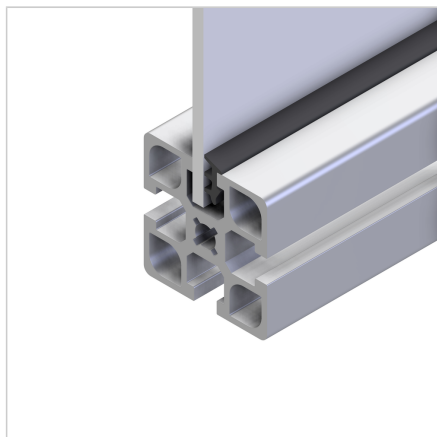


## INSERT SEAL 4

Code: 221081/0

Rubber insert seal 4 for aluminum profiles series 45, ensuring reliable sealing and secure panel fastening.

[Link to the product →](#)



### Technical data/items supplied

- EPDM, black
- Roll length 100 m
- Weight = 0.070 kg/m

### Applications

- Fastening and sealing of panes directly in the profile groove, for panes 2-4 mm thick
- Also suitable for acrylic plastic and polycarbonate

### Assembly

- Slide the pane into the profile groove, afterwards press the sealing gasket manually or with a suitable dull tool made of wood or plastic