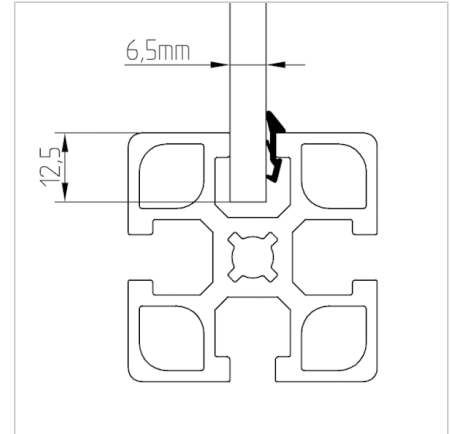
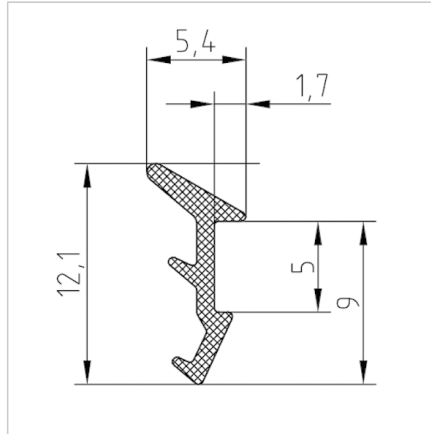
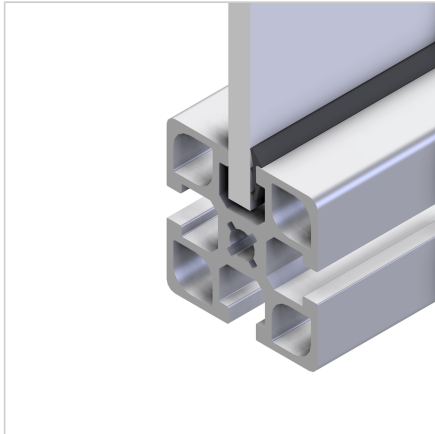


INSERT SEAL 6,5

Code: 220991/0

Rubber insert seal 6.5 for aluminum profiles series 45, ensuring reliable sealing and secure panel fastening.

[Link to the product →](#)



Technical data/items supplied

- EPDM, black
- Roll length 100 m
- Weight = 0.033 kg/m

Applications

- Mounting and sealing of discs directly in the profile groove, for panels up to 6.5 mm thickness
- Also suitable for acrylic plastic and polycarbonate

Assembly

- Insert panel into profile groove, next push gasket in manually or with an appropriate, blunt wooden or plastic tool