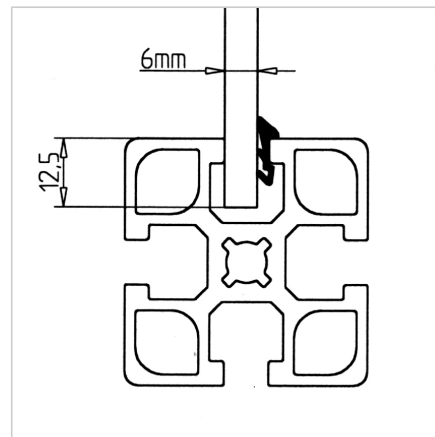
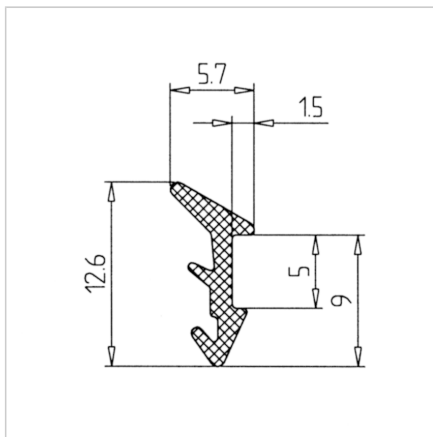
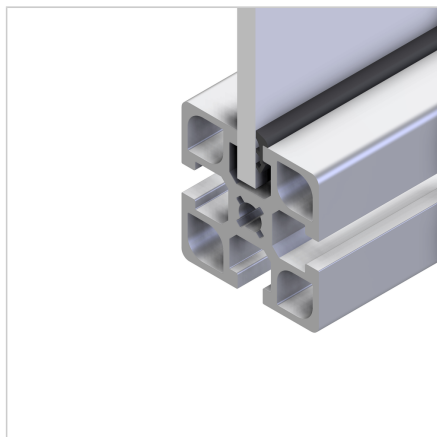


## INSERT SEAL 6 NBR

Code: 221086/3

Insert seal 6 for aluminum profiles series 45, ensuring reliable sealing and secure panel fastening.

[Link to the product →](#)



### Technical data/items supplied

- NBR
- Roll length 100 m
- Oil-resistant version
- Weight = 0.036 kg/m

### Applications

- Fastening and sealing of panes directly in the profile groove, for panes 6 mm thick
- Also suitable for acrylic plastic and polycarbonate

### Assembly

- Slide the pane into the profile groove, afterwards press the sealing gasket manually or with a suitable dull tool made of wood or plastic