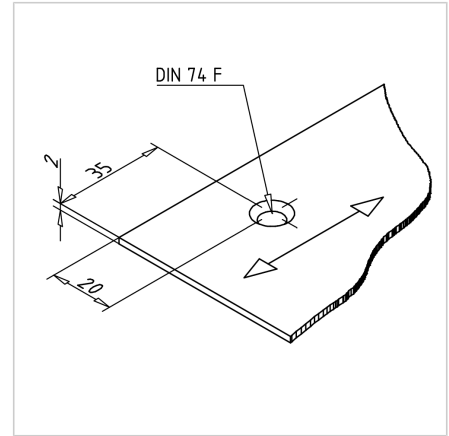
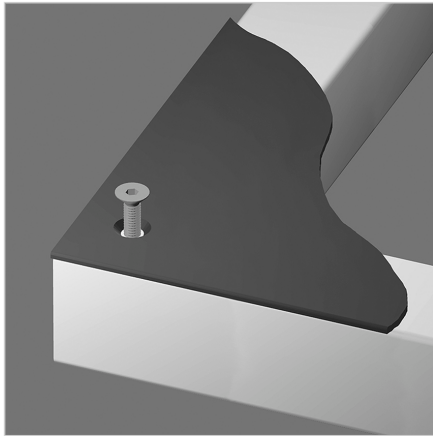


## INTERMEDIATE PLATE ALU READY MACHINED

Code: 295010/0

[Link to the product →](#)



### Technical data/items supplied

- Aluminium, anodized E6/EV1
- Thickness: 2 mm
- Drilled ready for installation
- Stainless version **part no. 295010/1**
- Bar length = 2 m

### Applications

- Sliding support for conveyor belts
- For MiniTec conveyor systems

### Assembly

- Screw onto the profile using countersunk screws M5 x 16 and sliding nut M5