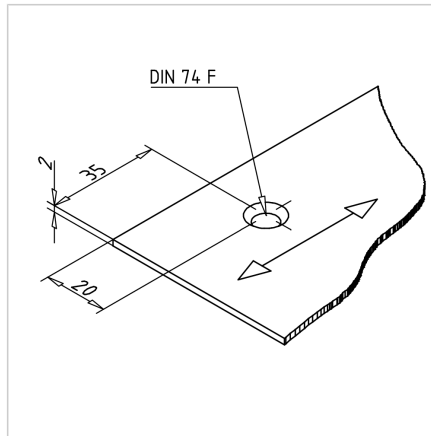
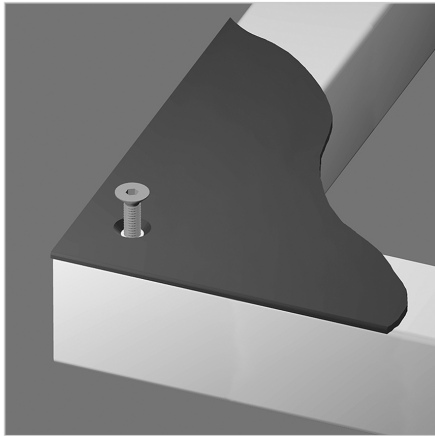


## INTERMEDIATE PLATE VA READY MACHINED

Code: 295010/1

[Link to the product →](#)



### Technical data/items supplied

- Stainless steel
- Thickness: 2 mm
- Drilled ready for installation

### Applications

- Sliding support for conveyor belts
- For MiniTec conveyor systems

### Assembly

- Screw onto the profile using countersunk screws M5 x 16 and sliding nut M5