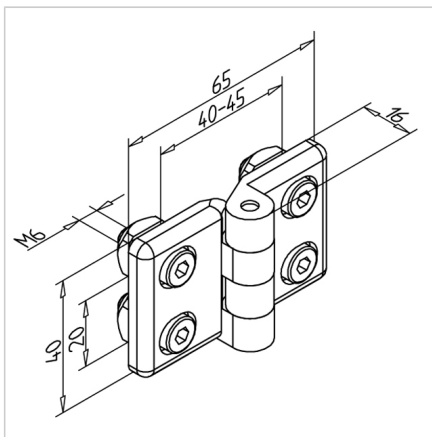
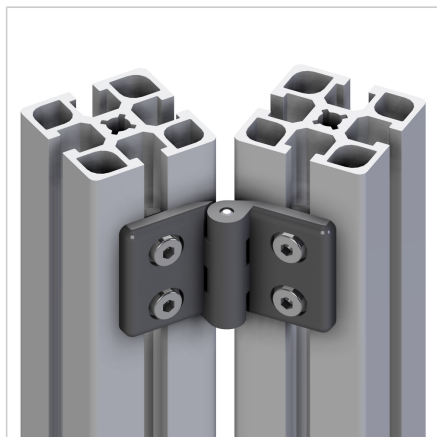


INTERNAL HINGE AL

Code: 211142/0

Concealed aluminium hinge for a clean and functional connection of profiles without visible joints.

[Link to the product →](#)



Technical data/items supplied

- Aluminium, anodized E6/EV1
- With fastening material steel, zinc plated
- Load capacity up to 250 N
- Weight = 0.032 kg/piece

Applications

- Doors
- Lids
- Movable elements
- Retrofitting of doors

Assembly

- Screw tight to the profile groove with supplied hardware