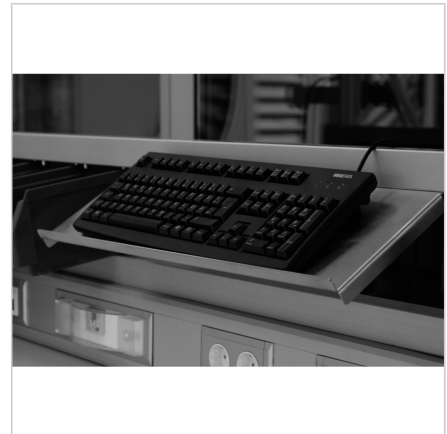
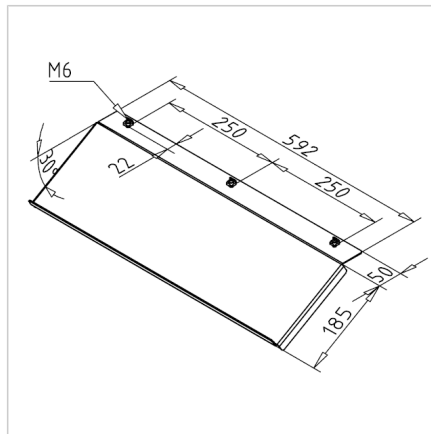
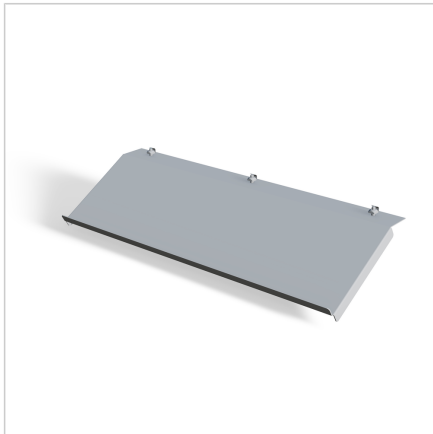


## KEYBOARD STORAGE

Code: 320518/0

Keyboard shelf frees desk space for other tools, keeps the keyboard clean, and provides stable support for comfortable typing.

[Link to the product →](#)



### Technical data/items supplied

- Stainless steel
- Stainless steel 2mm, grounded
- Rustproof
- For standard keyboards
- With slide nuts M6Z, ESD-compatible
- Fastening material
- Load capacity 150 N
- Weight = 2.477 kg/piece

### Applications

- For setting the keyboard on the workplace

### Assembly

- Fasten to profile groove with supplied hardware