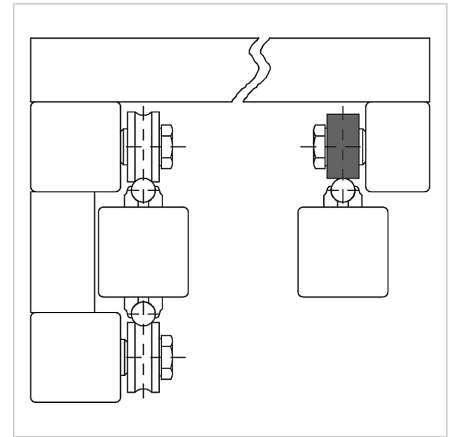
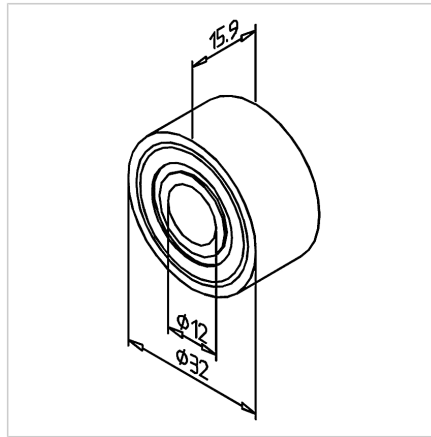
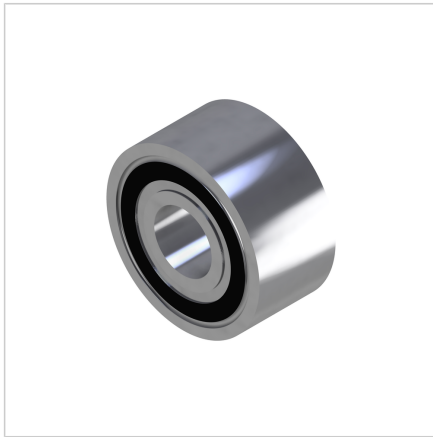


KL LR 12 L

Code: 280005/0

Ball bearing LR 12 L for MiniTec linear guides, suitable for precise guidance and compensation of misalignments in parallel linear systems.

[Link to the product →](#)



Technical data/items supplied

- Steel, hardened, polished
- Double-row angular contact bearing
- Rated load:
dyn. C = 8.6 kN
stat. C₀ = 5.1 kN
- Weight = 0.053 kg/piece

Applications

- Construction of MiniTec linear guidance systems with fixed and floating bearing block
- Compensation of distance deviations in parallel linear systems

Assembly

- Fastening kit LRK **part no. 280021/0** or LRE **part no. 280022/0**