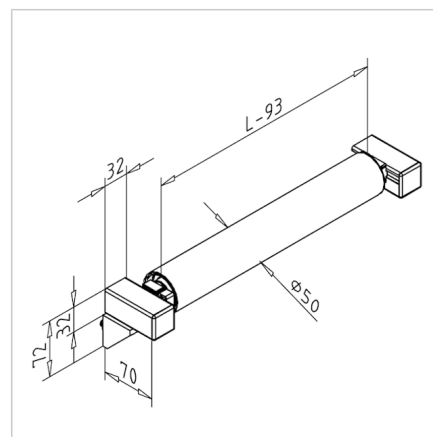
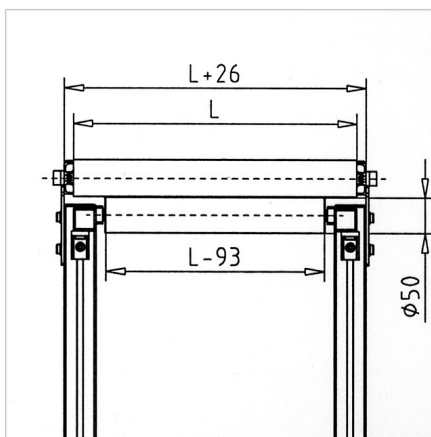
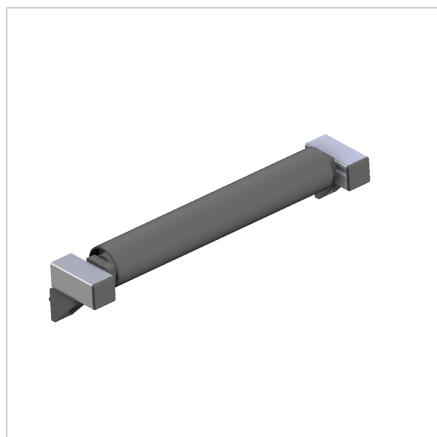


## KOMPLET PODPORNEGA VALJA L=po naročilu

Šifra: 295002/0

[Povezava do izdelka →](#)



### Tehnični podatki / vključeni artikli

- With fastening material steel, zinc plated
- Support roller made of ABS tube
- Ball bearings on both sides
- Two holders from profile
- 2 mounting angles
- Max. tightening torque: 5 Nm
- **Please specify dimension L (belt width)**

### Uporaba

- Minitec belt conveyor system
- As a support for the lower side of long belt conveyors
- We recommend to install one support roller for each intermediate support on the belt conveyor
- Use this support roller kit only with belt width > 115 mm

### Navodila za uporabo / način montaže

- Ponovno sestavite nosilec valjev iz profila na transporterjeve nosilce
- Namestite nosilni valj v montažni komplet
- Drsajte valj v ustrezni položaj in privijte vijake