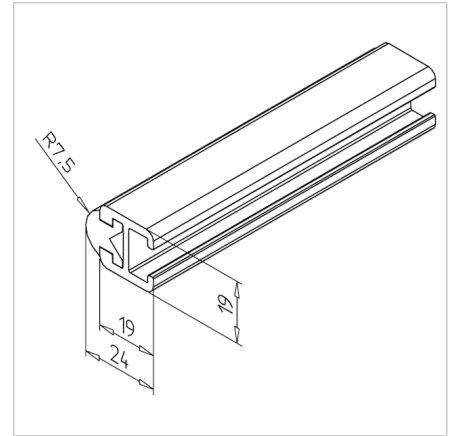
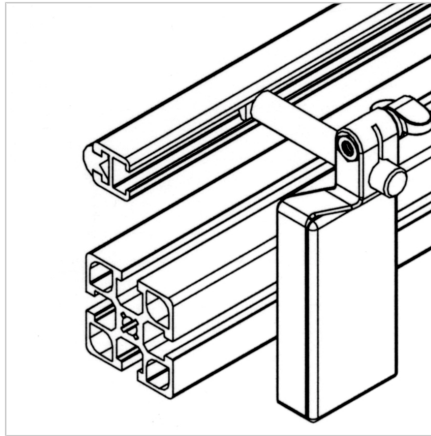
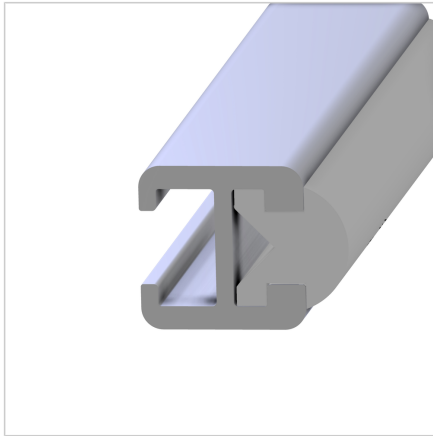


LATERAL GUIDE CONVEYOR BELT

Code: 295034/0

[Link to the product →](#)



Technical data/items supplied

- Aluminium, E6/EV1
- Slide profile, PE, natural
- Bar length = 6 m

Applications

- Recommended length: axial distance A + 40 mm
- Adjustable lateral guides for MiniTec belt conveyors

Assembly

- Square nut M8 from mounting kit for holder side guide into receiving groove
- Screw the lateral guide on the distance bolt
- suitable end cap **part no. 221180/0**