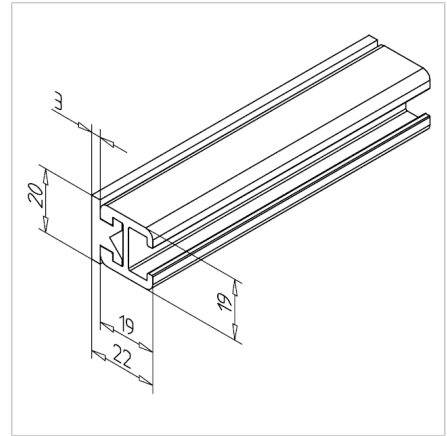
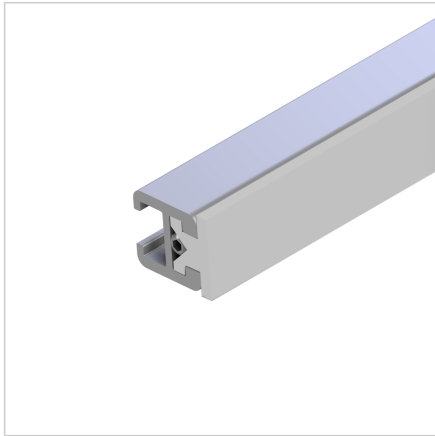


LATERAL GUIDE F

Code: 295049/0

[Link to the product →](#)



Technical data/items supplied

- Aluminium, E6/EV1
- Slide profile, PE, natural
- Bar length = 6 m

Applications

- adjustable lateral guidance for MiniTec chain conveyors, belt conveyors and roller conveyors

Assembly

- Square nut M8 from mounting kit for holder side guide into receiving groove
- Fix the holder to the side guide and adjust it
- suitable end cap **part no. 221180/0**