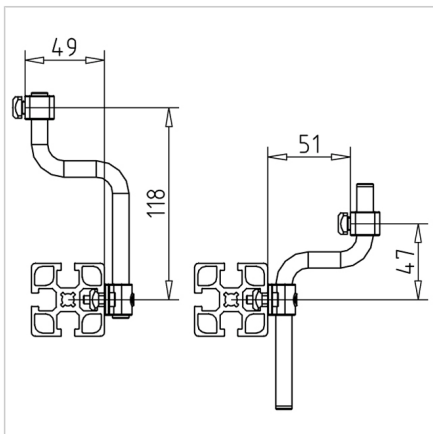
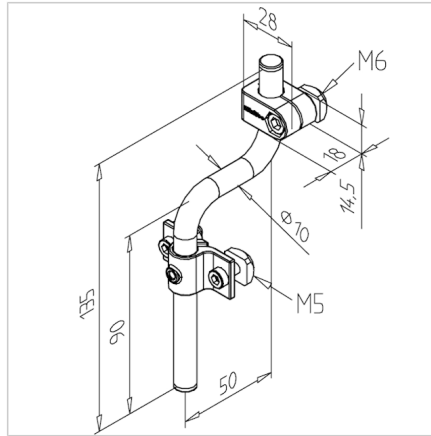


LATERAL GUIDE SUPPORT, SHORT

Code: 295046/0

[Link to the product →](#)



Technical data/items supplied

- Stainless steel
- Holder on top, ABS, grey
- Adjusting rod and holder at the bottom, stainless steel
- With fastening material steel, zinc plated
- Weight = 0.097 kg/piece

Applications

- Adjustable lateral guide for MiniTec roller conveyor, conveyor belt etc.
- we recommend approx. 300 mm distance between the supports

Assembly

- slide square nut into base frame of conveyor and adjust the support
- adjust height and distance
- Install lateral guidance, lateral guidance F or lateral guidance 40F