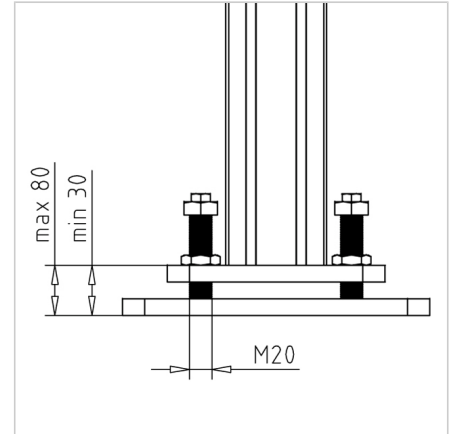
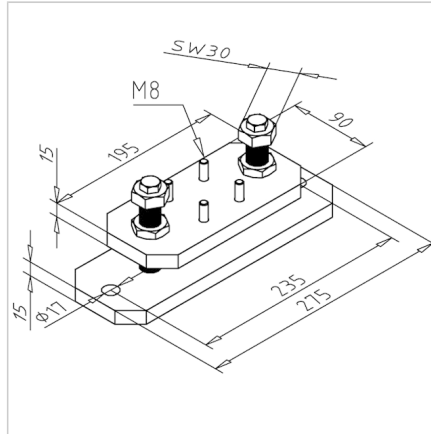
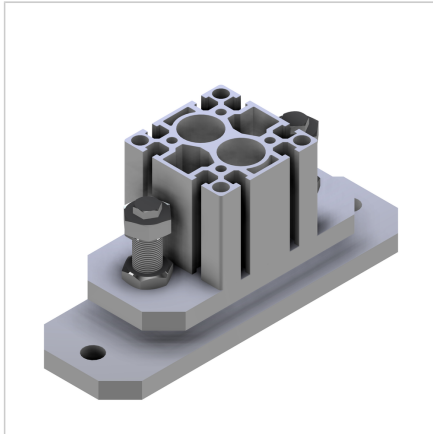


## LEVELLING PLATE 90 ST

Code: 210976/0

Levelling plate 90 ST for precise leveling and stable fastening of aluminum structures.

[Link to the product →](#)



### Technical data/items supplied

- Steel, galvanized
- With galvanized steel fastening material, for profile
- With leveling element
- Without dowels
- Max. load capacity 20 kN (compressive load static, vertical)
- Weight = 5.146 kg/piece

### Applications

- Precise alignment of heavy constructions with cross-section 90x90 as post profile

### Assembly

- Fasten footplate to the floor using a high performance anchor
- Fasten profile plate to the profile with supplied hardware
- Turn the M20 screw to set the height and secure it with the counter nut