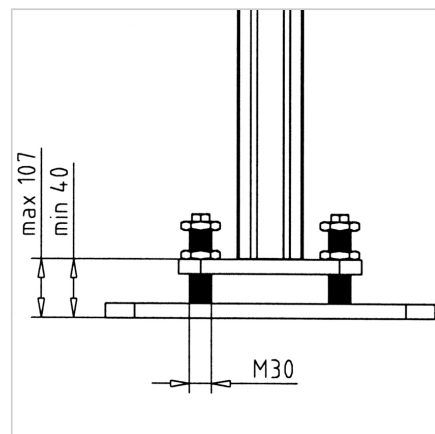
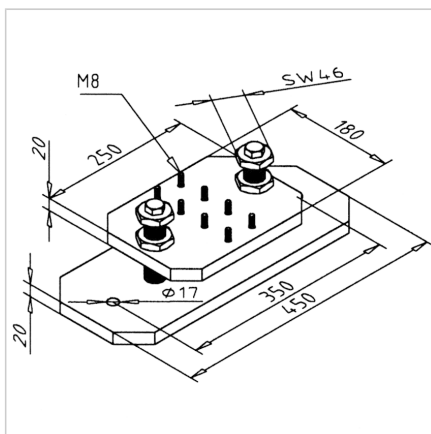
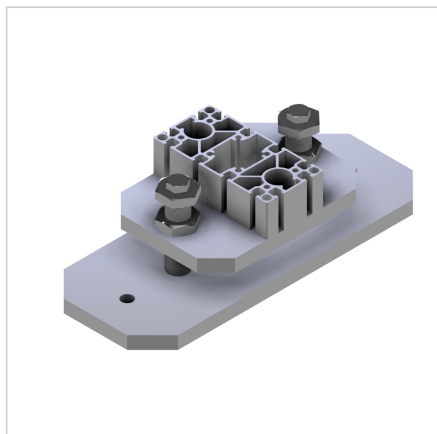


LEVELLING PLATE 90 X 180 ST

Code: 210977/0

Levelling plate 180 ST for precise leveling and stable fastening of aluminum structures.

[Link to the product →](#)



Technical data/items supplied

- Steel, galvanized
- With galvanized steel fastening material, for profile
- With leveling element
- Without dowels
- Max. load capacity 20 kN (compressive load static, vertical)
- Weight = 20.347 kg/piece

Applications

- Precise alignment of heavy constructions with cross-section 90x180 as post profile

Assembly

- Fasten footplate to the floor using a high performance anchor
- Fasten profile plate to the profile with supplied hardware
- Adjust height by turning screw M30 and secure with counter nut.