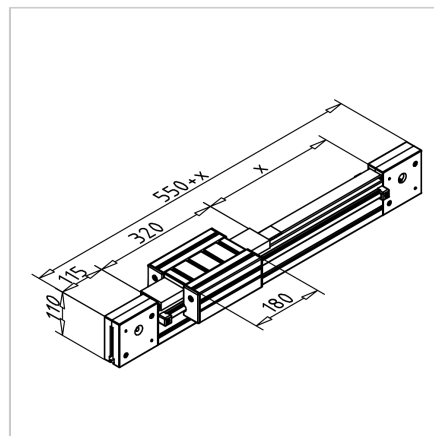
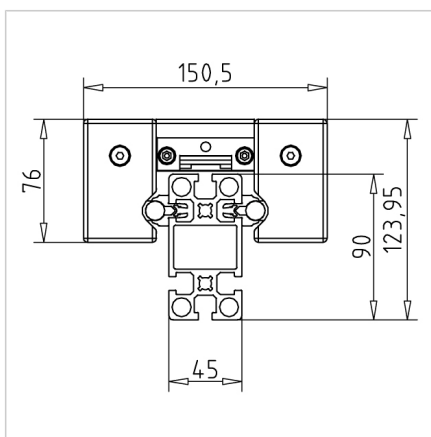


## LINEAR AXIS LR 12 - 45 STAINLESS STEEL STROKE = MM

Code: 280600/1

Linear guides LR 12 - 45x90 stainless steel for precise motion with minimal friction. Assembled linear axis ready for immediate use.

[Link to the product →](#)



### Technical data/items supplied

- Linear guide, ready for use, consisting of:
- 1x rail 45 x 90 H with shaft fixation
- 2x timing belt pulley T45
- 2x timing belt tensioner
- 1x slide LW 45
- 1x timing belt 32AT10
- **Please specify stroke length X and reverse unit**

### Applications

- Handling devices
- Measuring devices
- Calibration devices

### Assembly

- Belt is fastened and tensioned with the aid of timing belt tensioner