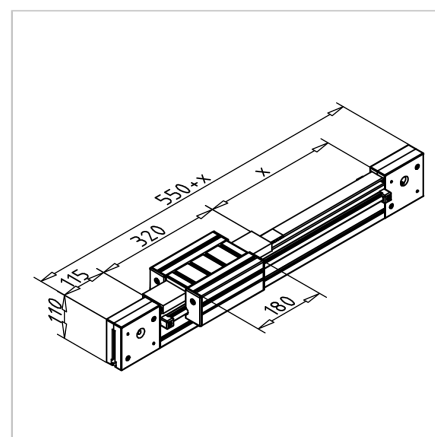
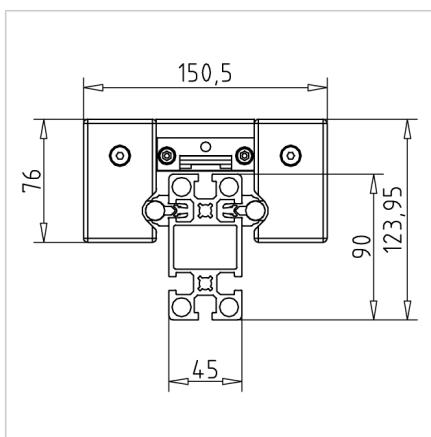


LINEAR AXIS LR 12 - 45 STROKE = MM

Code: 280600/0

Linear guides LR 12 - 45x90 stainless steel for precise motion with minimal friction. Assembled linear axis ready for immediate use.

[Link to the product →](#)



Technical data/items supplied

- Linear guide, ready for use, consisting of:
- 1x rail 45 x 90 H with shaft fixation
- 2x timing belt pulley T45
- 2x timing belt tensioner
- 1x slide LW 45
- 1x timing belt 32AT10
- **Please specify stroke length X and reverse unit**
- Stainless version **part no. 280600/1**
- Weight = (basic weight) 7.37 kg
- Extra weight = 0.656 kg / 100 mm stroke

Applications

- Handling devices
- Measuring devices
- Calibration devices

Assembly

- Belt is fastened and tensioned with the aid of timing belt tensioner