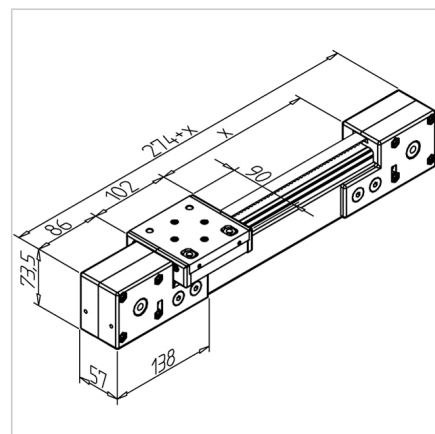
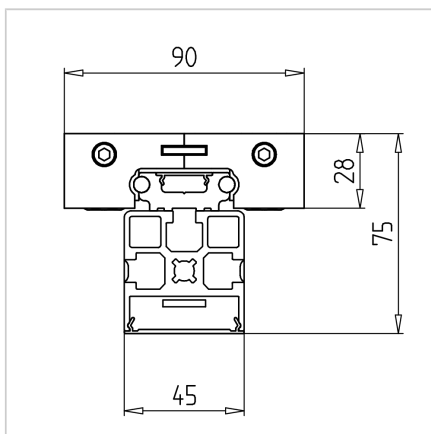
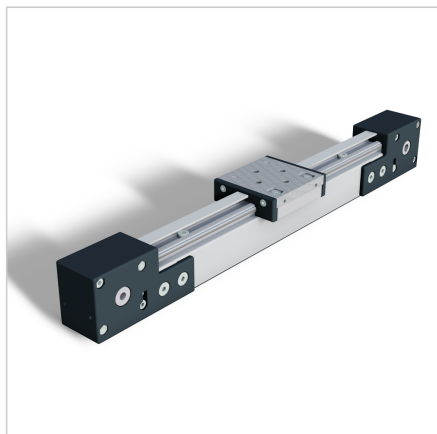


LINEAR AXIS LR 6 Z - 45 STROKE = MM

Code: 280500/0

Linear guides LR 6 - 45 x 45 R for precise motion with minimal friction. Assembled linear axis ready for immediate use.

[Link to the product →](#)



Technical data/items supplied

- Linear guide, ready for use, consisting of:
- 1x rail LR 6 with precision steel shafts h6, \varnothing 6 mm, on carrier profile 45 x 45 R
- **Please specify stroke length X and reverse unit**
- Max. stroke length 5867 mm
- Stainless version **part no. 280500/1**
- 1x slide LR 6 Z with integrated timing belt retainer
- 2x timing belt pulleys
- 1x timing belt 16 AT 5, steel reinforced
- Weight = (basic weight) 2.25 kg
- Extra weight = 0.322 kg / 100 mm stroke

Applications

- Handling devices
- Measuring devices
- Calibration devices
- Precise guidance of doors or large extracts

Assembly

- Strap is tensioned over the reversing unit