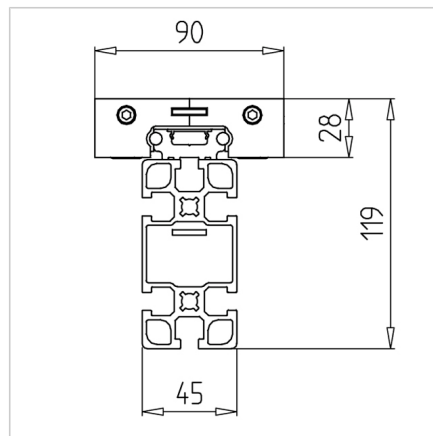
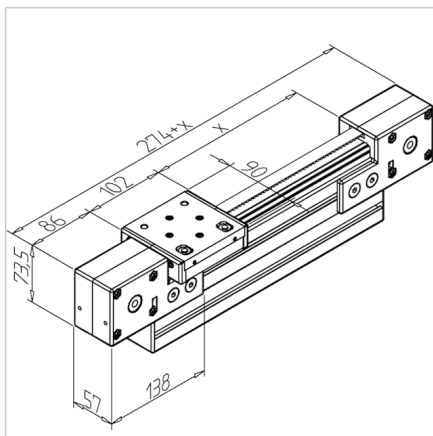


LINEAR AXIS LR 6 Z - 90 STAINLESS STEEL STROKE = MM

Code: 280501/1

Linear guides LR 6 - 45x90 stainless steel for precise motion with minimal friction. Assembled linear axis ready for immediate use.

[Link to the product →](#)



Technical data/items supplied

- Linear guide, ready for use, consisting of:
- 1x rail LR 6 S with precision steel shafts h6, Ø 6 mm, on carrier profile 45 x 90 F
- 1x carriage LR 6 Z with integrated timing belt mounting
- 2x timing belt deflectors
- 1x timing belt 16 AT 5, steel reinforced
- **Please specify stroke length X and reverse unit**
- Max. stroke length 5867 mm

Applications

- Handling devices
- Measuring devices
- Calibration devices
- Precise guidance of doors or large extracts

Assembly

- Strap is tensioned over the reversing unit