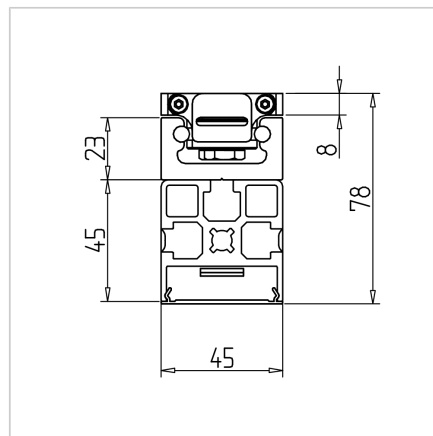
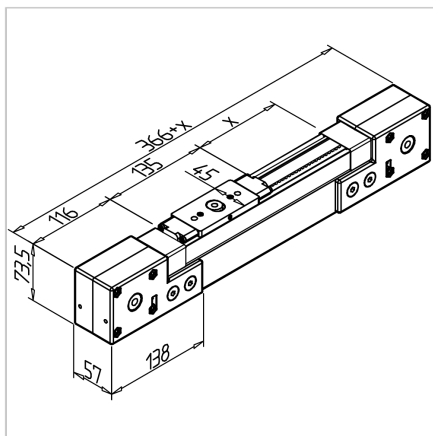


LINEAR AXIS LR 6 Z COMPACT - 45 STAINLESS STEEL STROKE = MM

Code: 280503/1

Linear guides LR 6 - 45x45 R stainless steel for precise motion with minimal friction under light loads. Assembled linear axis ready for immediate use.

[Link to the product →](#)



Technical data/items supplied

- Linear guide, ready for use, consisting of:
- 1x rail LR 6 compact with precision steel shafts h6, \varnothing 6 mm. on support profile 45 x 45 R
- **Please specify stroke length X and reverse unit**
- Max. stroke length 5807 mm

Applications

- Handling devices
- Measuring devices
- Calibration devices

Assembly

- Strap is tensioned over the reversing unit