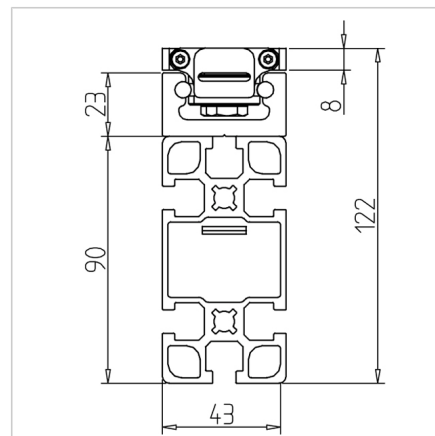
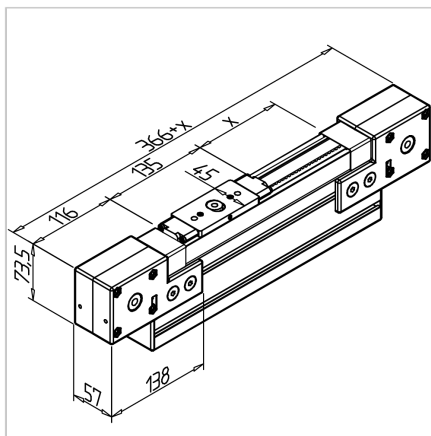
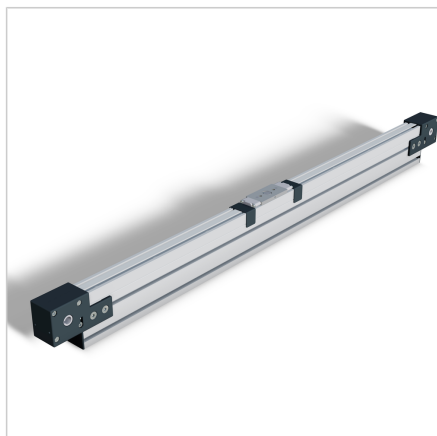


LINEAR AXIS LR 6 Z COMPACT - 90 STAINLESS STEEL STROKE = MM

Code: 280504/1

Linear guides LR 6 - 45x90 stainless steel for precise motion with minimal friction under light loads. Assembled linear axis ready for immediate use.

[Link to the product →](#)



Technical data/items supplied

- Linear guide, ready for use, consisting of:
- 1x rail LR 6 with precision steel shafts h6, Ø 6 mm, on carrier profile 45 x 90, 1 Slide LW 6 Z with integrated timing belt admission, 2x timing belt pulleys 1 tooth belt 16 AT 5, steel reinforced
- **Please specify stroke length X and reverse unit**
- Max. stroke length 5807 mm

Applications

- Handling devices
- Measuring devices
- Calibration devices

Assembly

- Strap is tensioned over the reversing unit