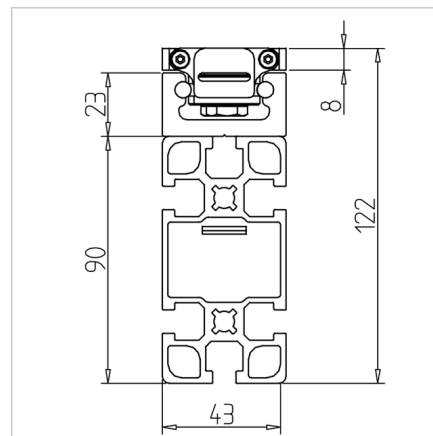
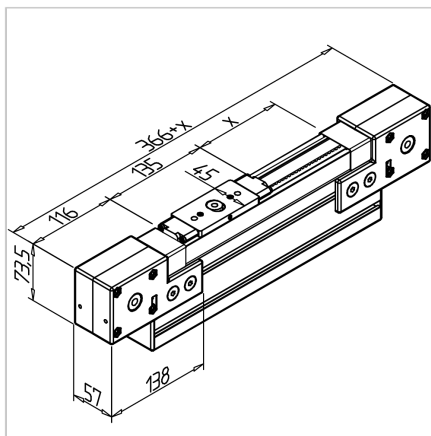
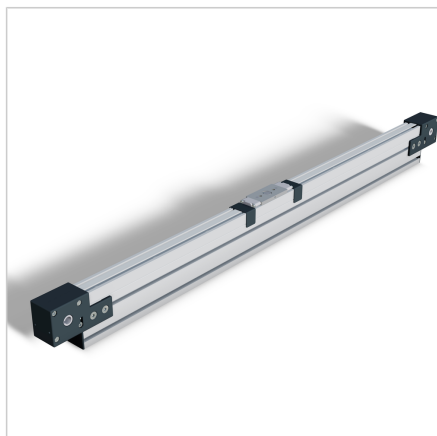


## LINEAR AXIS LR 6 Z COMPACT - 90 STROKE = MM

Code: 280504/0

Linear guides LR 6 - 45x90 stainless steel for precise motion with minimal friction under light loads. Assembled linear axis ready for immediate use.

[Link to the product →](#)



### Technical data/items supplied

- Linear guide, ready for use, consisting of:
- 1x rail LR 6 with precision steel shafts h6, Ø 6 mm, on carrier profile 45 x 90, 1 Slide LW 6 Z with integrated timing belt admission, 2x timing belt pulleys 1 tooth belt 16 AT 5, steel reinforced
- **Please specify stroke length X and reverse unit**
- Max. stroke length 5807 mm
- Stainless version **part no. 280504/1**
- Weight = (basic weight) 3.305 kg
- Extra weight = 0.547 kg / 100 mm stroke

### Applications

- Handling devices
- Measuring devices
- Calibration devices

### Assembly

- Strap is tensioned over the reversing unit