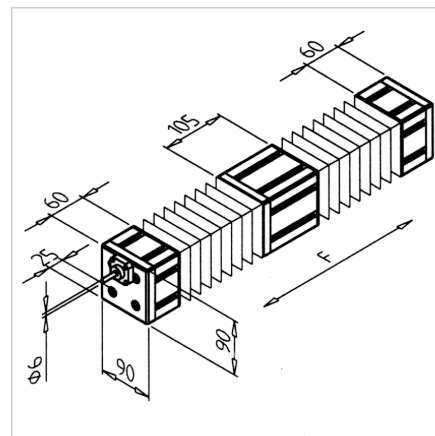
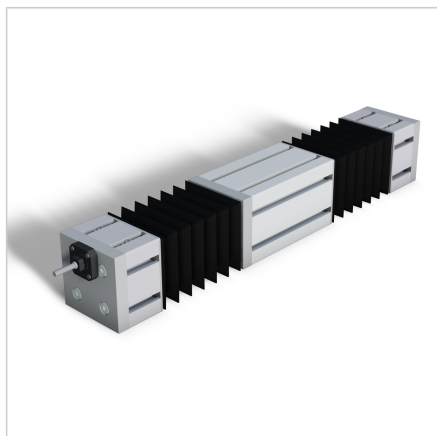


## LINEAR MODULE LB 90 HUB = XXX MM

Code: 280178/0

Linear modules LB 90 offer compact, precise, and reliable linear motion, suitable for creating versatile multi-axis systems and efficient handling solutions.

[Link to the product →](#)



### Technical data/items supplied

- Aluminium, anodized E6/EV1
- Max. load [F] approx. 650 N
- Ready-to-mount linear module of profile 90 x 90
- Drive unit with rolled circulating ball spindle  $\varnothing$  10 mm, incline 3
- Pitch error / 300 mm: 210  $\mu$ m (class Ct10)
- Slide guidance on 4 linear ball bearings with hardened ground precision shafts  $\varnothing$  20 mm, total length max. 760 mm
- Shaft end on the fixed side machined according to customer specifications for engine or crank connection
- Shafts and spindles covered with protective bellows
- Positioning accuracy:  $\pm$  0,1 mm
- Also available without bellows on request. The overall length of units without bellows is reduced, resulting in a maximum stroke of 515mm for smaller installation spaces.

### Applications

- Handling systems
- Z-axis in portals
- Multiple axis systems
- Grabbing units