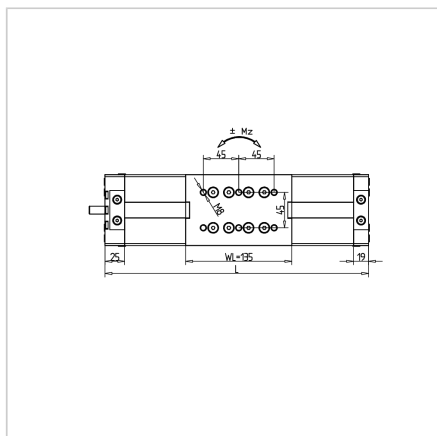
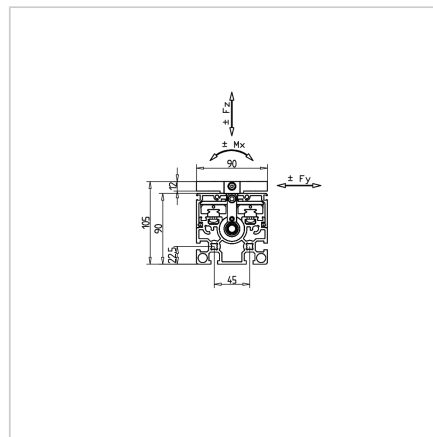
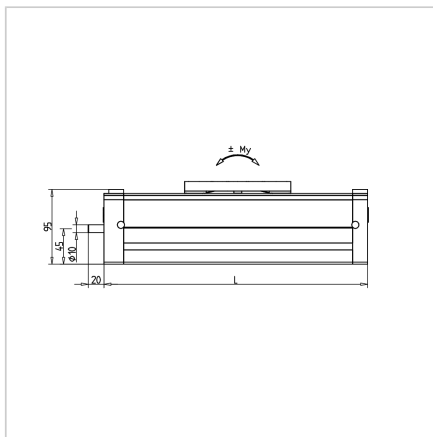


LINEAR MODULE LMS 90 K16x5 S2

Code: 281002/0

Linear module LMS 90 K16x5 S2

[Link to the product →](#)



Technical data/items supplied

- 2 rail guides with each 2 linear slide Dim. 15
- Stroke = L- 185 mm
- Travel up to 2800 mm
- High load-carrying rail slide with continuous lubrication
- Load rating:
Cdyn: 15,240 N
Cstat: 22,360 N
- Allowable static tilting moment:
Mx: 108 Nm
My: 108 Nm
Mz: 108 Nm
- Max speed 15m/min

Applications

- Special grooves for external mounting of position sensors

Assembly

- Simple mounting of external switches on lateral profile grooves