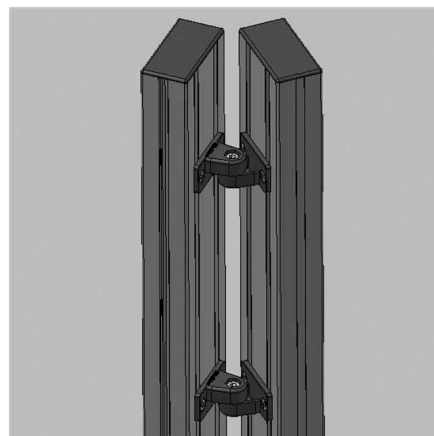
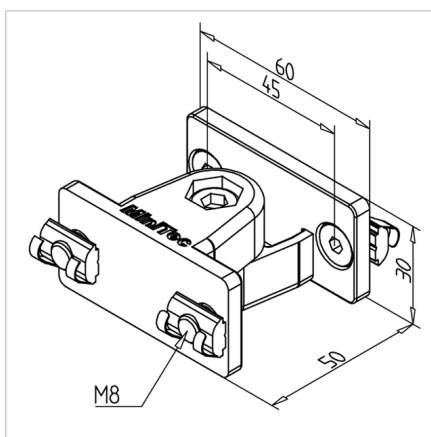


LINK 30 F

Code: 212111/0

Aluminium profile joint 30 F enables flexible, reliable and strong connection of aluminium profiles for durable and adaptable constructions.

[Link to the product →](#)



Technical data/items supplied

- Aluminium, Pressure die-casting, powder-coated, grey
- With fastening material steel, zinc plated
- Locking device against torsion
- Weight = 0.126 kg/piece

Applications

- Connection of profile support under preferred angle
- Retrofitting reinforcement in existing racks
- Alternative: Swivel joint 30 F with slide bushing **part no. 212223/0**
- Alternative: Swivel joint 30 F with clamping lever **part no. 212226/0**

Assembly

- Fasten link to profile face
- Screw both parts together on hinge point