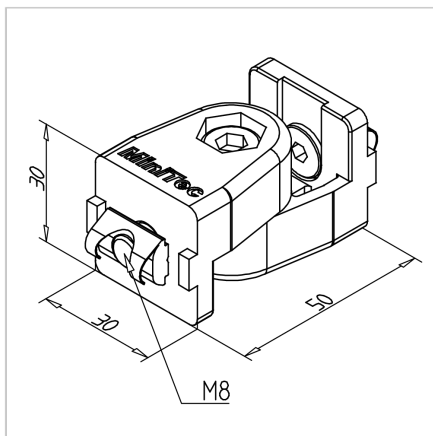


## LINK 30 S

Code: 212106/0

Aluminium profile joint 30 S enables flexible, reliable and strong connection of aluminium profiles for durable and adaptable constructions.

[Link to the product →](#)



### Technical data/items supplied

- Aluminium, Pressure die-casting, powder-coated, grey
- With fastening material steel, zinc plated
- Locking device against torsion
- Weight = 0.087 kg/piece

### Applications

- Connection of profile support under preferred angle
- Retrofitting reinforcement in existing racks
- Alternative: Swivel joint 30 S with slide bushing **part no. 212222/0**
- Alternative: Swivel joint 30 S with clamping lever **part no. 212225/0**

### Assembly

- Attach the first joint half to the profile strut on the face side
- Fasten the second joint half to the supporting frame
- Screw both parts together on hinge point