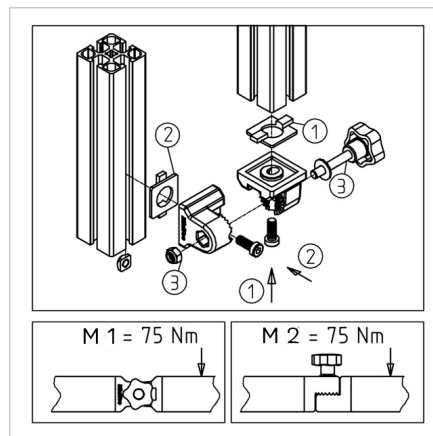
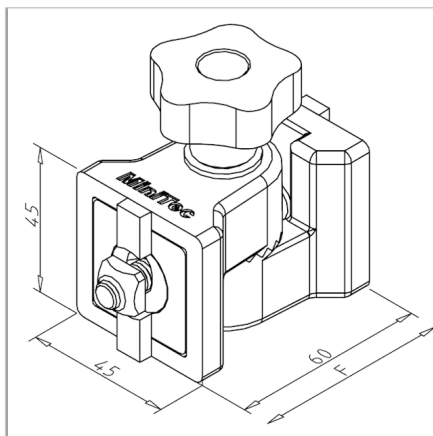


LINK 45 R WITH R FIXABLE

Code: 212230/0

Durable Link 45 R with star grip for easy adjustment and secure mounting of heavy attachments with up to 180° flexibility.

[Link to the product →](#)



Technical data/items supplied

- Aluminium, Pressure die-casting, powder-coated, grey
- With fastening material steel, zinc plated
- Anti-rotation device AL GD
- Load F_{max} 5000 N
- Use on vertical struts **part no. 212230/7** (square nuts with position fixing)
- Weight = 0.279 kg/piece

Applications

- Adjustment range approx. 180° in 15° increments
- Fastening of heavy attachments such as extension arms, gripper cup holders, devices
- Safe adjustment through tooth system

Assembly

- 1: Place locking device and screw first half of the bracket
- 2: Fix second half
- 3: Connect the 2 halves in desired angle and tighten