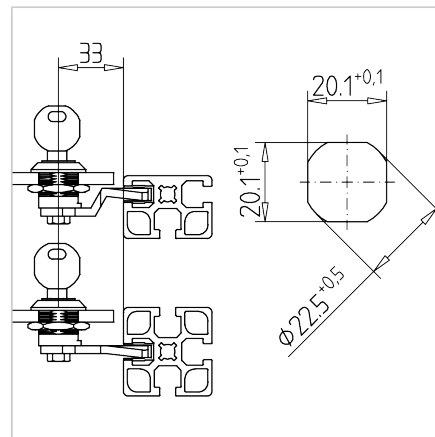
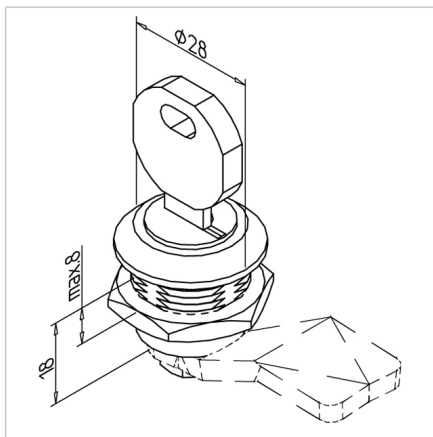


LOCK CYLINDER WITH 2 KEYS + NUT

Code: 211752/0

Cylinder lock for secure and reliable locking of doors and cabinets in industrial and various applications.

[Link to the product →](#)



Technical data/items supplied

- Zinc, Pressure die-casting, chromed
- With fastening nut steel, galvanized
- 2 keys
- Weight = 0.100 kg/piece

Applications

- Light doors from surface elements up to 8 mm thickness

Assembly

- Bore $\phi 22$ mm in panel element
- As an alternative to torsion-protected mounting Milling according to sketch
- Select the locking tongue suitable for the application or profiles used.
- To prevent damage to the profile grooves, additional edging and cover profiles can be used