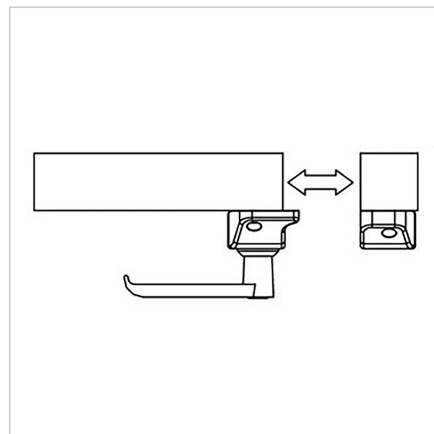
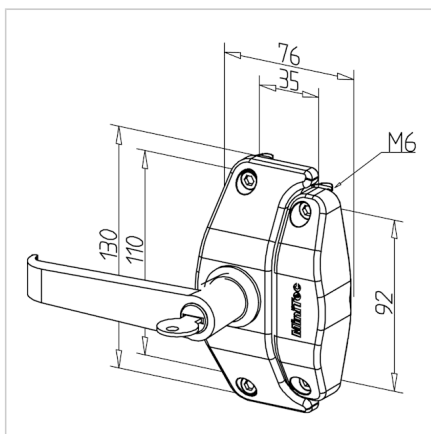


## LOCK FOR SLIDING DOOR 30

Code: 210959/0

Sliding door lock for secure closing of sliding systems in industrial or safety constructions made of aluminium profiles.

[Link to the product →](#)



### Technical data/items supplied

- With fastening material steel, zinc plated
- Mounted handle: see **part no.** [212305/0](#)
- Fmax. 1000 N
- Weight = 0.441 kg/piece

### Applications

- For profiles series 30
- Locking of doors and panels
- No profile finishing required
- Position moveable

### Assembly

- Fasten to profile groove with supplied hardware
- Fastening on profile groove - without processing/boring of profiles