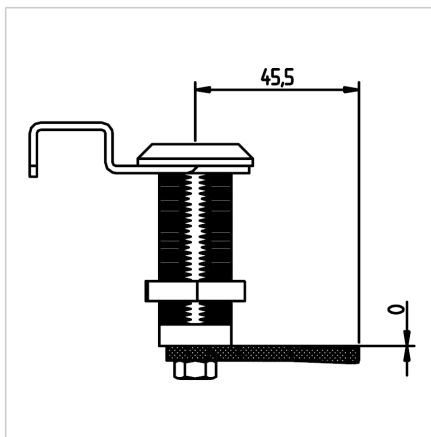
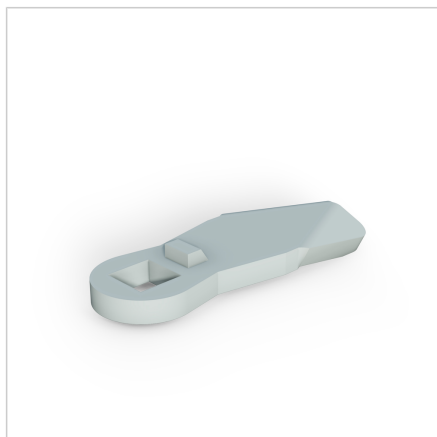


## LOCKING BOLT +/- 0

Code: 211093/2

[Link to the product →](#)



### Technical data/items supplied

- Steel, galvanized
- Weight = 0.030 kg/piece