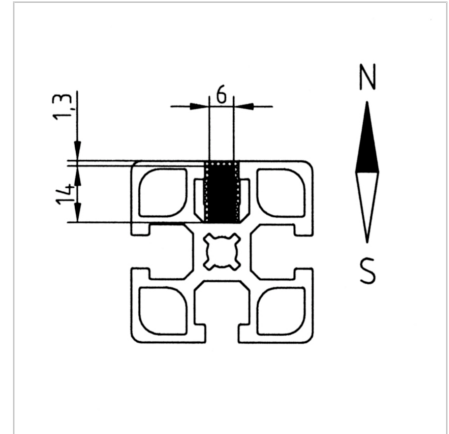
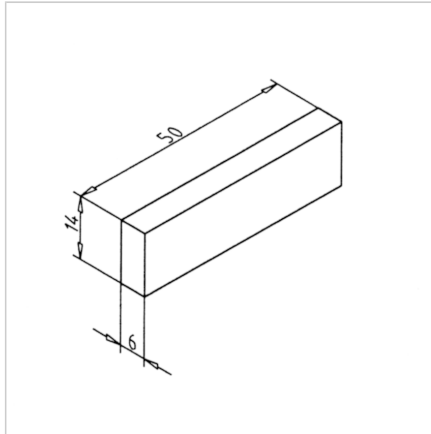
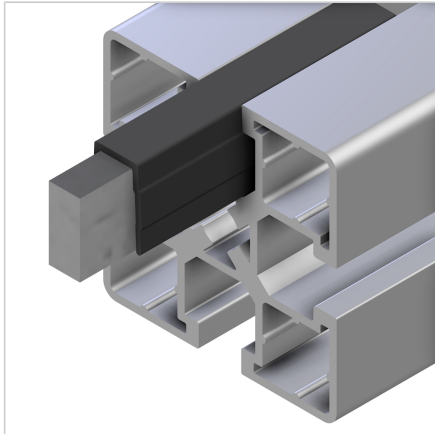


Magnet 6 x 14 x 50 mm

Code: 210032/0

Strong adhesive magnet 6x14x50 mm, perfect for tools, conveyor belts, and use in aluminum profile systems.

[Link to the product →](#)



Technical data/items supplied

- NeFeB N35, nickel-plated
- Without fastening kit
- Attention: Electric- and memory devices can be faulted by the magnet
- Power density, $BH_{mx} = 263 \text{ kJ/m}^3$
- Remanence, $B_r = 1170 \text{ mT}$
- Coercive field strength $H_{cj} = 955 \text{ kA/m}$
- Max. service temperature $+80 \text{ }^\circ\text{C}$
- Weight = 0.030 kg/piece

Applications

- Adhesive magnet for tools
- Use under conveyor belts as tracking, for magnetizable conveying products or at higher conveying speeds
- Fitting for all profiles of profile series 45

Assembly

- Snap or slip the cover profile into profile groove
- Insert magnet into t-slot
- For fastening: (mighty recommended) Use end cap AL, set screw with square nut or t-slot bar