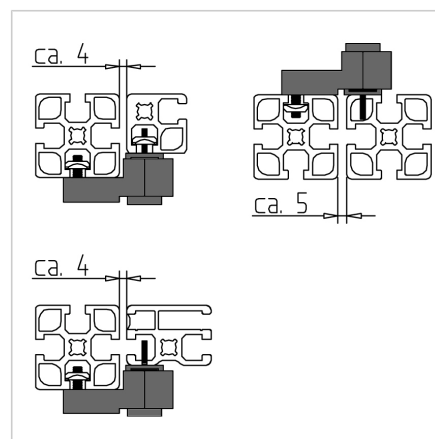
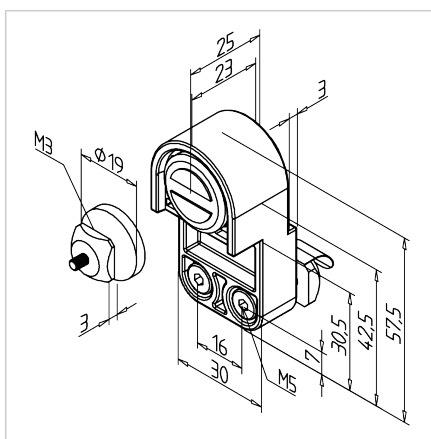


MAGNETIC CATCH S

Code: 210888/0

Magnetic catch provides discreet and firm closure of light elements without mechanical latches, suitable for profile systems.

[Link to the product →](#)



Technical data/items supplied

- ABS, Injection Mould, grey
- Holder plate steel, burnished
- With fastening material steel, zinc plated
- Holding force approx. 70 N
- Weight = 0.075 kg/piece

Applications

- Stop and quick-release of swing doors
- Fastening of light surface elements

Assembly

- Fasten with fixing material to profile groove
- Fit striker plate directly on profile surface or surface element; to do so cut thread M5