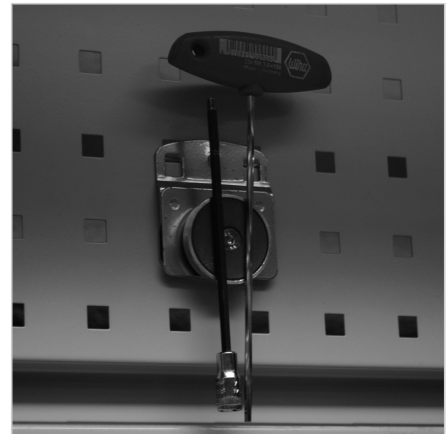
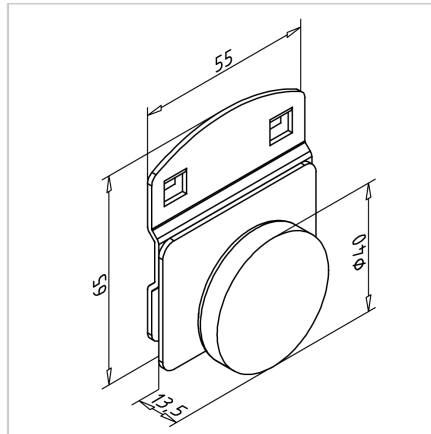
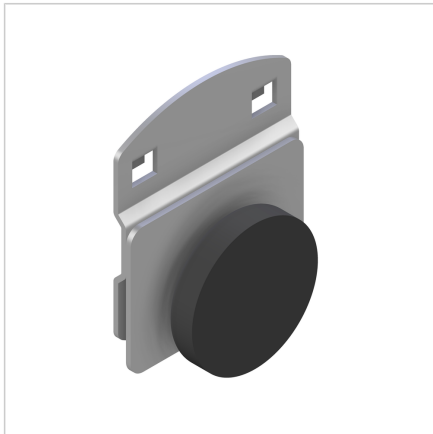


MAGNETIC HOLDER

Code: 320515/0

Magnetic tool holder provides secure attachment, stores tools of all sizes and shapes, and offers quick access to most-used items.

[Link to the product →](#)



Technical data/items supplied

- Plastic, Pressure die-casting, powder-coated, grey
- Aluminum colored
- Plastic coated
- Individually packaged incl. screws
- Holding force approx. 50 N
- Weight = 0.157 kg/piece

Applications

- For provision of steel tools

Assembly

- Hook in the carrier plate and secure with the enclosed screw