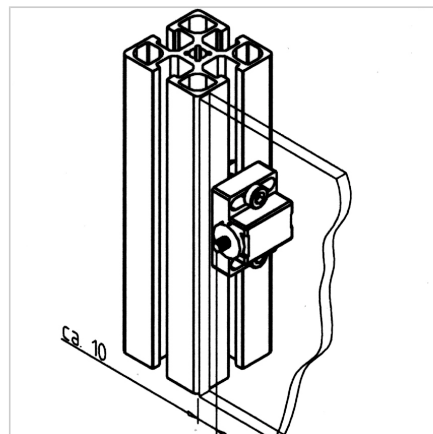
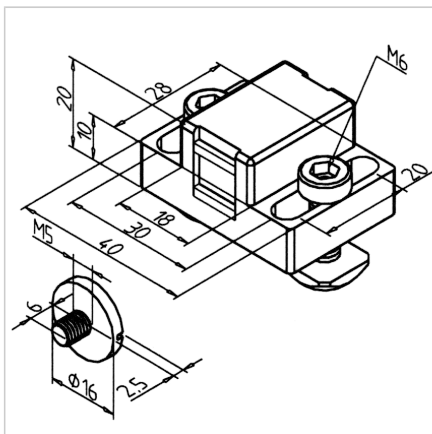
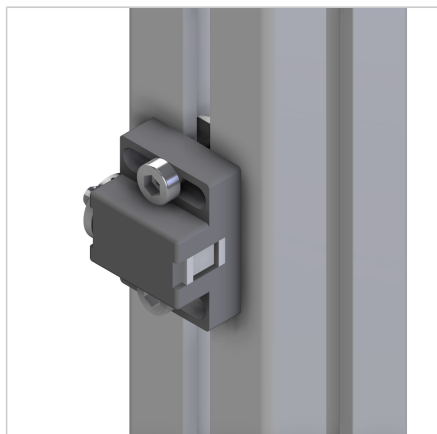


Magnetic Lock, PA, Locking Force Approx. 20 N front, 10N back

Code: 211741/0

Compact magnetic catch for secure closing and quick release, ideal for light elements in aluminum profile constructions.

[Link to the product →](#)



Technical data/items supplied

- PA, grey
- Holding plate, steel, zinc plated
- With fastening material steel, zinc plated
- Holding force approx. 30 N
- For use on vertical struts, magnetic catch **part no.** 21.1741/5 (square nuts with position-fixing)
- Weight = 0.060 kg/piece

Applications

- Stop and quick-release of swing doors
- Fastening of light surface elements

Assembly

- Fasten with fixing material to profile groove
- Fit striker plate directly on profile surface or surface element; to do so cut thread M5