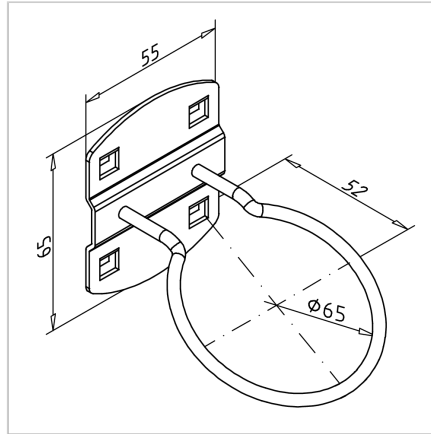


## MACHINE HOLDER D60mm

Code: 320657/0

Cordless drill holder allows easy and secure storage while saving space on the workstation.

[Link to the product →](#)



### Technical data/items supplied

- Steel, Pressure die-casting, powder-coated, grey
- Plastic coated
- Individually packaged incl. screws
- Weight = 0.062 kg/piece

### Applications

- For provision of steel tools

### Assembly

- Hook in the carrier plate and secure with the enclosed screw