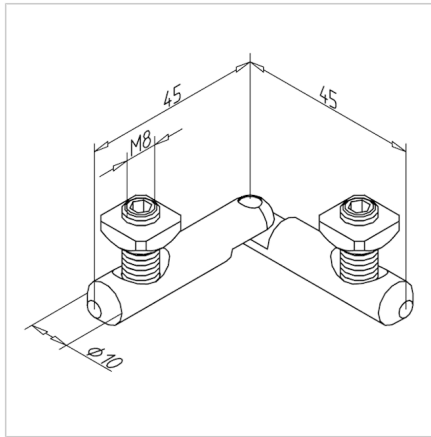
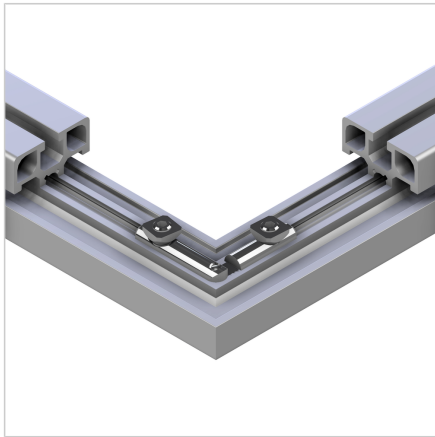


MITRE-CONNECTOR 45 (GVB-N45)

Code: 211400/0

Mitre connector 45 for strong aluminium profile groove connections. Ideal for making display cases, stands, store shelves, and frames.

[Link to the product →](#)



Technical data/items supplied

- Steel, galvanized
- With fastening material steel, zinc plated
- Weight = 0.065 kg/piece

Applications

- Display windows, showcases
- Store equipment
- Displays
- Frames

Assembly

- Insert the miter connector into both profile ends
- Position the sliding nuts M8 above the bores and screw in the threaded pin. Attach the connector with the threaded pin M8
- Use a drilling jig for mitre-connector 45 **part no. 261050/0**