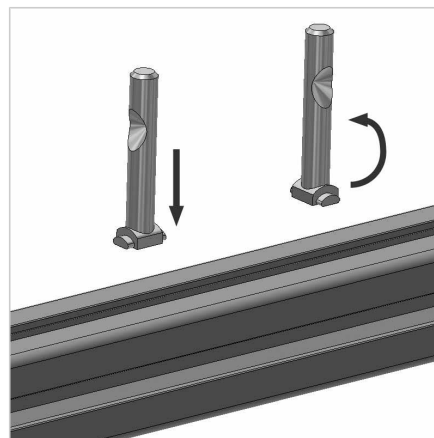
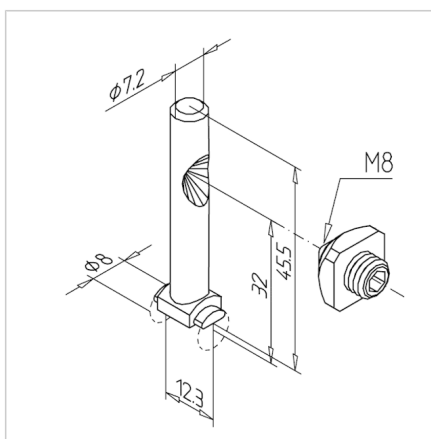


## MITRE-CONNECTOR N 30 (GVB-N30)

Code: 210945/0

Mitre connector N 30 for easy profile groove connection, ideal for subsequent fitting and adjustment in aluminium constructions.

[Link to the product →](#)



### Technical data/items supplied

- Steel, galvanized
- With fastening material steel, zinc plated
- Weight = 0.023 kg/piece

### Applications

- Mitre connection of profiles on profile groove
- For subsequent fitting in the groove

### Assembly

- Insert into groove and central bore
- Use a drilling jig for mitre connector N30  
**part no. 261056/0**