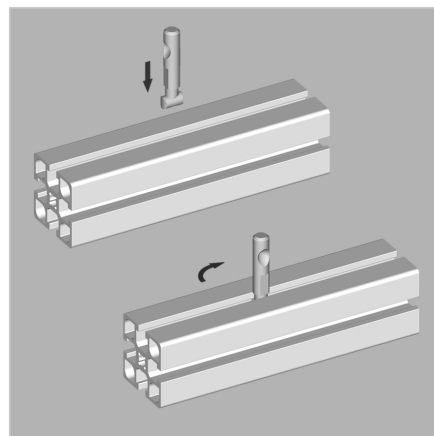
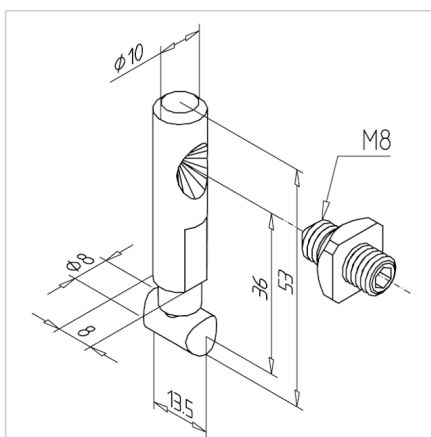
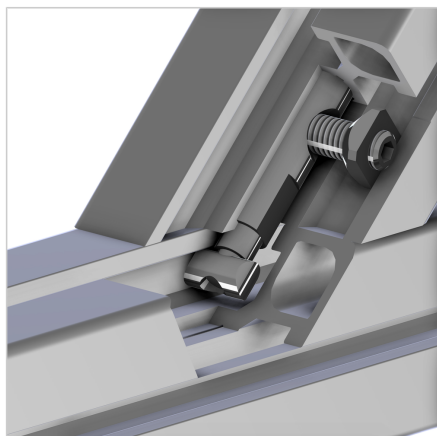


MITRE-CONNECTOR N 45 (GVB-N45)

Code: 211401/0

Mitre connector N 45 for easy profile groove connection, ideal for subsequent fitting and adjustment in aluminium constructions.

[Link to the product →](#)



Technical data/items supplied

- Steel, galvanized
- With fastening material steel, zinc plated
- Weight = 0.035 kg/piece

Applications

- Mitre connection of profiles on profile groove
- For subsequent fitting in the groove

Assembly

- Drill profile bore of $\phi 10.2$ mm
- Use a drilling jig for mitre-connector N45
part no. 261060/0