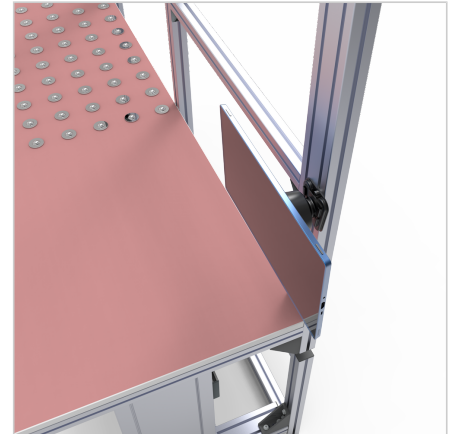
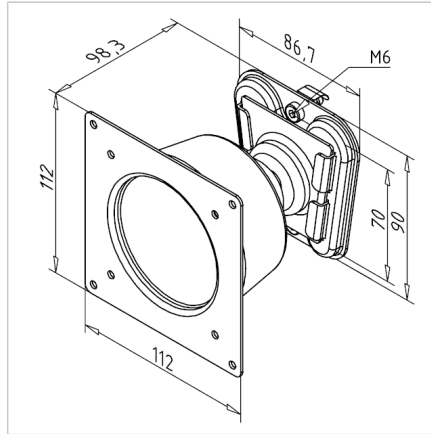


MONITOR CARRIER V 100 WITH BALL JOINT

Code: 320053/0

Monitor stand mount with ball rotation provides easy positioning and improves comfort at work.

[Link to the product →](#)



Technical data/items supplied

- Steel, powder coated black
- Load capacity 150 N
- Fastening kit
- Weight = 0.578 kg/piece

Applications

- Swiveling with ball joint
- Monitor can be rotated through 180°
- For VESA standard 75 x 75 mm / 100 x 100 mm

Assembly

- Fasten to profile groove with supplied hardware