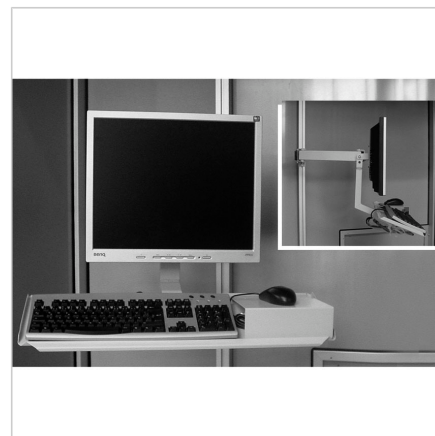
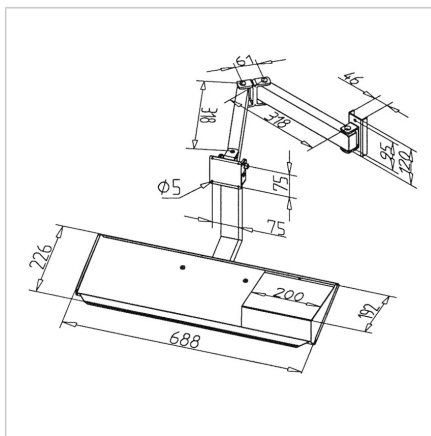
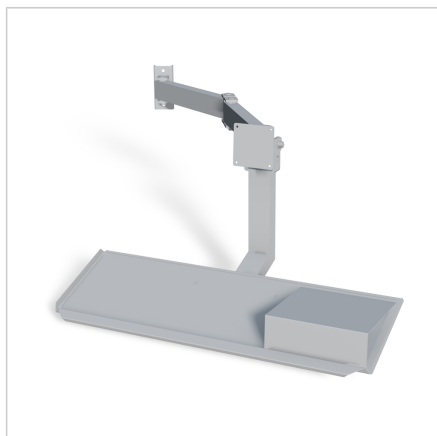


MONITOR SUPPORT TFT WITH KEYBOARD SHELF 75 DOUBLE JOINT SWIVEL CANTILEVER

Code: 320517/0

Monitor and keyboard stand saves space and allows workspace adjustment for different users, enabling more efficient work.

[Link to the product →](#)



Technical data/items supplied

- Steel, powder-coated, grey
- Monitor and keyboard carrier with mouse rack
- With double-articulated swing boom
- Delivery as construction set
- ESD on request
- Load capacity 150 N
- Weight = 7.400 kg/piece

Applications

- The mouse rack is shiftable and therefore suitable for right and left-handers

Assembly

- Support with keyboard shelf with VESA connection adapter 75 mm **part no.** [320517/0](#)
- Support with keyboard shelf with VESA connection adapter 100 mm **part no.** [320517/1](#)
- Support without keyboard shelf with VESA connection adapter 75 mm **part no.** [320525/0](#)
- Support without keyboard shelf with VESA connection adapter 100 mm **part no.** [320526/0](#)