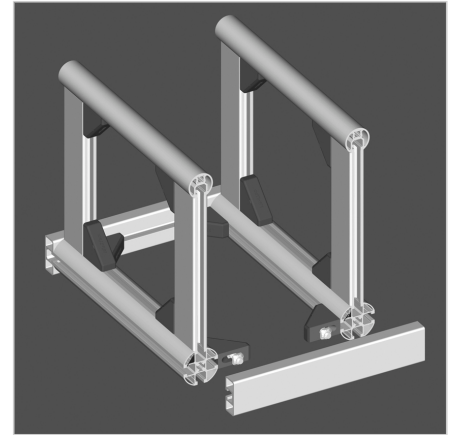
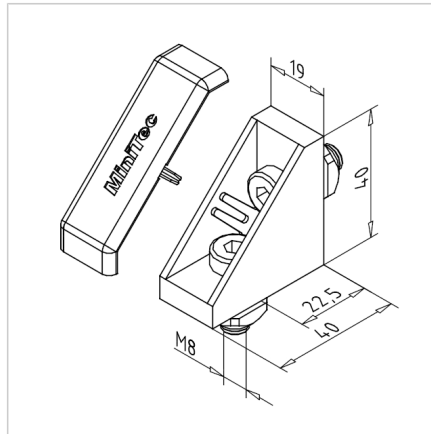
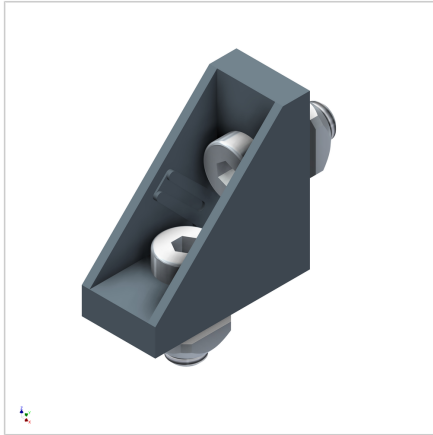


## MOUNTING ANGLE 19 GD-Z

Code: 212078/7

Mounting angle 19 GD-Z with M8 square nut and position-fixing for easy installation and precise positioning without machining. Enhances assembly stability.

[Link to the product →](#)



### Technical data/items supplied

- Aluminium, Pressure die-casting, powder-coated, grey
- With fastening material steel, zinc plated
- Weight = 0.055 kg/piece

### Applications

- Connection of profiles 19 and 32
- Subsequent insertion of profiles into existing constructions
- Attaching bearing surfaces
- Slidable in the groove direction

### Assembly

- Fasten to profile groove with supplied hardware
- Fitting end cap MW 19 GD-Z, grey, **part no. 221139/1**
- Recommended locking torque: 20 Nm