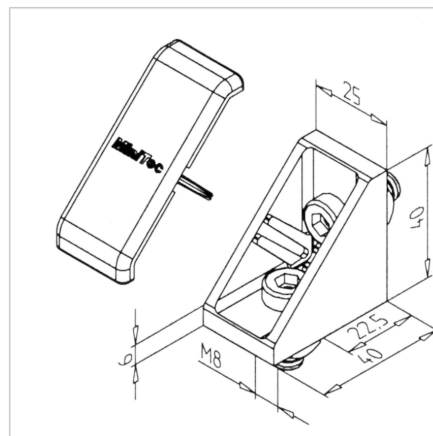
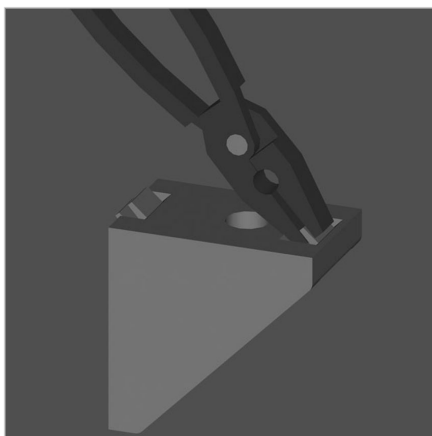
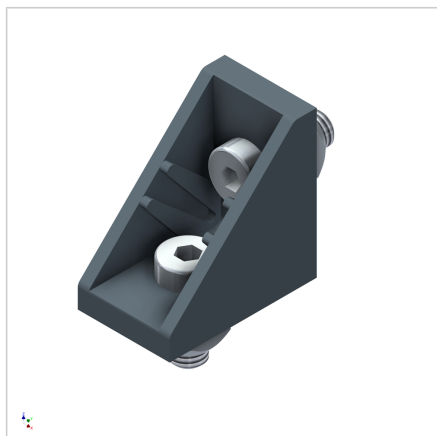


MOUNTING ANGLE 25 GD-Z

Code: 210969/7

Mounting angle 25 GD-Z with M8 square nut and position-fixing for easy installation and precise positioning without machining. Enhances assembly stability.

[Link to the product →](#)



Technical data/items supplied

- Aluminium, Pressure die-casting, powder-coated, grey
- With fastening material steel, zinc plated
- Removable centering tabs
- Weight = 0.066 kg/piece

Applications

- General constructions, particularly for subsequent insertion of profiles into existing constructions
- Fastening of surface elements, table tops
- Strengthening of profile constructions

Assembly

- Fasten to profile groove with supplied hardware
- If non-aligning grooves, break centering tabs with pliers
- Fitting end cap MW 25 GD-Z, **part no.** [220997/1](#)
- Recommended locking torque: 20 Nm